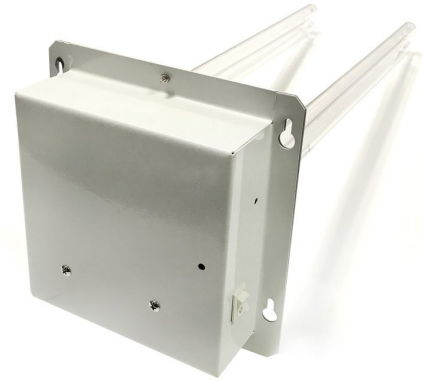


UV LAMP FOR AIR HANDLING SYSTEMS

UVC SERIES

- ➔ Coated steel structure
- ➔ Built-in long lasting power supply unit
- ➔ Optimised coil for better thermal exchange
- ➔ quick installation and easy connection to the electrical mains



DESCRIPTION:

The UV-C light inhibits the growth and reproduction of germs and bacteria that circulate through home fan systems. Treatment is a safe, silent and proven way of making the fan system even more filtered and germ and bacteria-free,

Ultraviolet light is part of the light spectrum, which is classified into three wave length ranges: UV-C, from 100 nanometres (nm) to 280 nm; UV-B, from 280 nm to 315 nm; and UV-A, from 315 nm to 400 nm. Between 100 nm and 280 nm, UV-C wave lengths are germicide.

Germicide ultraviolet light (UV-C) deactivates the DNA of bacteria, viruses and other pathogenic agents, destroying their capacity to multiply and cause illness. In particular, UV-C light causes damage to the nucleic acid of micro-organisms forming covalent bonds between certain adjacent bases in the DNA. The formation of these bonds prevents the DNA from decompressing for reproduction and the organism is not able to reproduce. In fact, when the organism tries to replicate, it dies.

The air and UV-C surface disinfection models contain one or more germicide ultraviolet lamps. The germicide lamps are low-pressure short-wave tubes that produce ultraviolet wave lengths that are lethal to micro-organisms. Approximately 95% of the delivered ultraviolet energy is 254 nanometres. This wave length is in the region of maximum germicide efficacy and is highly lethal to virus spores, bacteria and moulds. When air passes through the UV-C purifier chamber or the surface is exposed to the germicide UV light, the genetic material of the micro-organisms is deactivated, stopping them from reproducing and thus making them harmless.

UVC-200-900 units are designed to emit powerful UV-C rays that sterilise and reduce the micro-organisms found in the air as they pass through a heating, ventilation and air conditioning system.

This product is not sold as a medical device and does not have the purpose of diagnosing any illness or condition nor can it be used to mitigate, treat or prevent any illness or condition.

UNIT PERFORMANCE

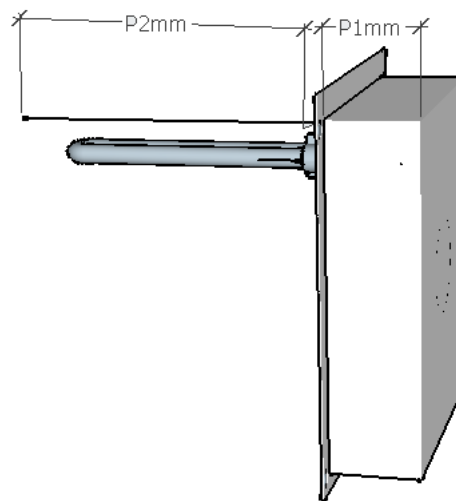
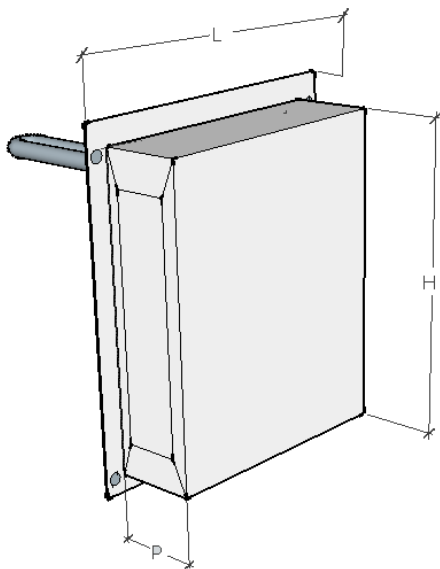
■ GENERAL TECHNICAL DATA

		UVC-200	UVC-300	UVC-500	UVC-900
Rated air flow rate min speed	m ³ /h	50	80	100	200
Rated air flow rate max speed	m ³ /h	200	300	500	900
Max power input	kW	0.018	0.024	0.036	0.072
Max absorbed current	A	0.09	0.11	0.15	0.31

■ ELECTRICAL DATA

Power supply	V/Ph/Hz	230/1/50			
Max power input	kW	0.018	0.024	0.036	0.072
Max absorbed current	A	0.09	0.11	0.15	0.31

DIMENSIONS AND FUNCTIONAL SPACES



		UVC-200	UVC-300	UVC-500	UVC-900
Width L	mm	120	120	120	120
Depth P	mm	50	50	50	50
Depth P2	mm	220	320	420	420
Height H	mm	195	195	195	195
Air connections	∅	125	160	200	250
Weight	kg	1.3	1.4	1.5	1.5

HOMOLOGATION AND STANDARDS

The CE marking (applied on each machine) certifies compliance with the following Community standards:

- Low Voltage Directive 2014/35/EC
- Electromagnetic Compatibility Directive 2014/30/EC



UNIT ORDER CODES

CODE	Model	Description
AP20380	UVC-200	UVC module to be inserted in duct up to 200m ³ /h
AP20381	UVC-300	UVC module to be inserted in duct up to 300m ³ /h
AP20382	UVC-500	UVC module to be inserted in duct up to 500m ³ /h
AP20383	UVC-900	UVC module to be inserted in duct up to 900m ³ /h

■ ACCESSORIES

CODE	Description
AP6R6306080	Spare lamp for UVC-200 / UVC-200B unit
AP6R6306081	Spare lamp for UVC-300 / UVC-300B unit
AP6R6306082	Spare lamp for UVC-500 / UVC-500B / UVC-900 / UVC-900B unit
AP6R6306083	Spare power supply unit for UVC-200 / UVC-200B unit
AP6R6306084	Spare power supply unit for UVC-300 / UVC-300B unit
AP6R6306085	Spare power supply unit for UVC-500 / UVC-500B unit
AP6R6306086	Spare power supply unit for UVC-900 / UVC-900B unit

