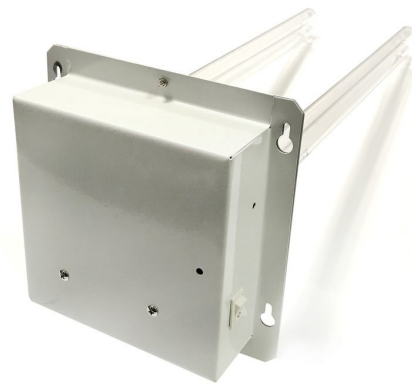


UV LAMP FOR AIR HANDLING SYSTEMS

UVC-B SERIES

- ➔ Reflecting box
- ➔ Coated steel structure
- ➔ Built-in long lasting power supply unit
- ➔ Optimised coil for better thermal exchange
- ➔ Quick installation and easy connection to the electrical mains



DESCRIPTION:

The UV-C light inhibits the growth and reproduction of germs and bacteria that circulate through home fan systems. Treatment is a safe, silent and proven way of making the fan system even more filtered and germ and bacteria-free,

Ultraviolet light is part of the light spectrum, which is classified into three wave length ranges: UV-C, from 100 nanometres (nm) to 280 nm; UV-B, from 280 nm to 315 nm; and UV-A, from 315 nm to 400 nm. Between 100 nm and 280 nm, UV-C wave lengths are germicide.

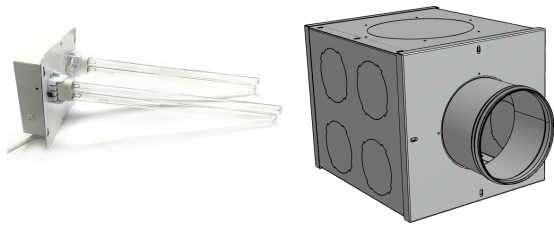
Germicide ultraviolet light (UV-C) deactivates the DNA of bacteria, viruses and other pathogenic agents, destroying their capacity to multiply and cause illness. In particular, UV-C light causes damage to the nucleic acid of micro-organisms forming covalent bonds between certain adjacent bases in the DNA. The formation of these bonds prevents the DNA from decompressing for reproduction and the organism is not able to reproduce. In fact, when the organism tries to replicate, it dies.

The air and UV-C surface disinfection models contain one or more germicide ultraviolet lamps. The germicide lamps are low-pressure short-wave tubes that produce ultraviolet wave lengths that are lethal to micro-organisms. Approximately 95% of the delivered ultraviolet energy is 254 nanometres. This wave length is in the region of maximum germicide efficacy and is highly lethal to virus spores, bacteria and moulds. When air passes through the UV-C purifier chamber or the surface is exposed to the germicide UV light, the genetic material of the micro-organisms is deactivated, stopping them from reproducing and thus making them harmless.

UVC-200B-900B units are designed to emit powerful UV-C rays that sterilise and reduce the micro-organisms found in the air as they pass through a heating, ventilation and air conditioning system.

This product is not sold as a medical device and does not have the purpose of diagnosing any illness or condition nor can it be used to mitigate, treat or prevent any illness or condition.

■ UVC-B COMPLETE WITH BOX WITH CIRCULAR FITTINGS FOR IN-LINE INSTALLATION



The unit comes complete with box, insulated with insulating material cladded with reflecting aluminium to amplify the UVC effect
Installation is made through positioning in line on existing ducts

UNIT PERFORMANCE

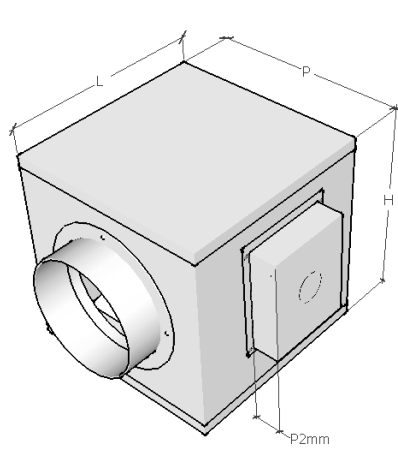
■ GENERAL TECHNICAL DATA

		UVC-200B	UVC-300B	UVC-500B	UVC-900B
Rated air flow rate min speed	m3/h	50	80	100	200
Rated air flow rate max speed	m3/h	200	300	500	900
Max power input	kW	0.018	0.024	0.036	0.072
Max absorbed current	A	0.09	0.11	0.15	0.31

■ ELECTRICAL DATA

Power supply	V/Ph/Hz	230/1/50			
Max power input	kW	0.018	0.024	0.036	0.072
Max absorbed current	A	0.09	0.11	0.15	0.31

DIMENSIONS AND FUNCTIONAL SPACES



		UVC-200B	UVC-300B	UVC-500B	UVC-900B
Width L	mm	275	275	295	295
Depth P	mm	235	450	675	800
Depth P2	mm	50	50	50	50
Height H	mm	225	225	295	295
Air connections	∅	125	160	200	250
Weight	kg	16	22	28	34

(Unit seen from above)

HOMOLOGATION AND STANDARDS

The CE marking (applied on each machine) certifies compliance with the following Community standards:

- Low Voltage Directive 2014/35/EC
- Electromagnetic Compatibility Directive 2014/30/EC



UNIT ORDER CODES

CODE	Model	Description
AP20385	UVC-200B	Air flow box complete with UVC lamp to be inserted in line for flow rates up to 200m ³ /h
AP20386	UVC-300B	Air flow box complete with UVC lamp to be inserted in line for flow rates up to 300m ³ /h
AP20387	UVC-500B	Air flow box complete with UVC lamp to be inserted in line for flow rates up to 500m ³ /h
AP20388	UVC-900B	Air flow box complete with UVC lamp to be inserted in line for flow rates up to 900m ³ /h

■ ACCESSORIES

CODE	Description
AP6R6306080	Spare lamp for UVC-200 / UVC-200B unit
AP6R6306081	Spare lamp for UVC-300 / UVC-300B unit
AP6R6306082	Spare lamp for UVC-500 / UVC-500B / UVC-900 / UVC-900B unit
AP6R6306083	Spare power supply unit for UVC-200 / UVC-200B unit
AP6R6306084	Spare power supply unit for UVC-300 / UVC-300B unit
AP6R6306085	Spare power supply unit for UVC-500 / UVC-500B unit
AP6R6306086	Spare power supply unit for UVC-900 / UVC-900B unit

