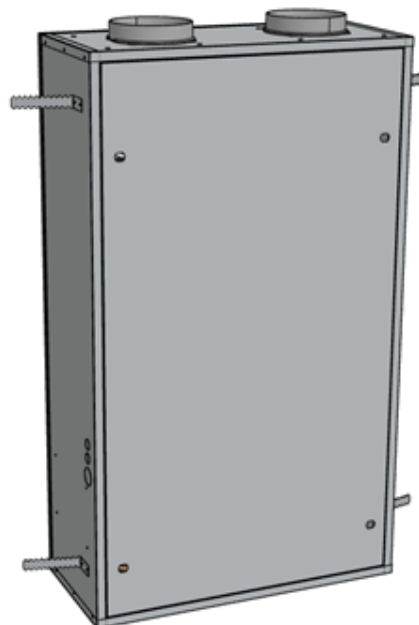


KIT FOR OUTDOOR RECESSED INSTALLATION

CABINET KIT

- ➔ Insulated cabinet kit (optional) for wall-mounting/recessed installation, even outdoors
- ➔ Also available with air outlet plenum



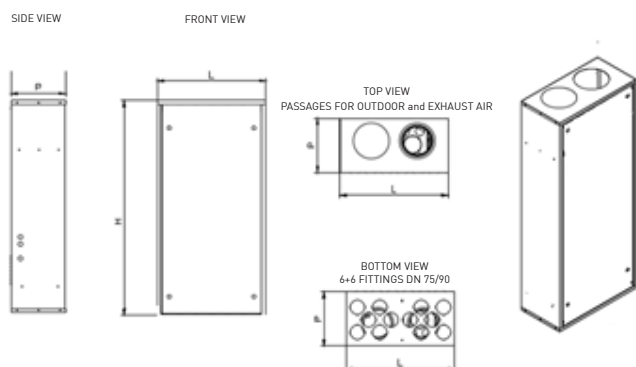
DESCRIPTION:

The AP20375 Cabinet Kit and the AP20376 outdoor air grid Kit allow the outdoor installation of recessed/wall-mounting Aspirlight 140HV and Aspirlight 200HV units thanks to the suitable insulation of the entire structure.

The cabinet kit includes the delivery/return plenum with fittings to connect the six delivery pipes and six return pipes. This greatly simplifies installation, drastically reducing time and ensuing costs.

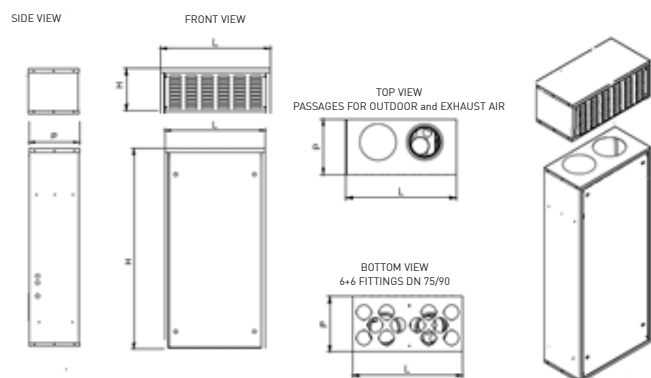
DIMENSIONS AND FUNCTIONAL SPACES

■ CEX-70 (code AP20375)



RECESSED INSTALLATION

■ CEX-70 (code AP20375) + GEX-70 grids (code AP20376)



RECESSED INSTALLATION + AIR OUTLET PLENUM

CEX-70 / AP20375

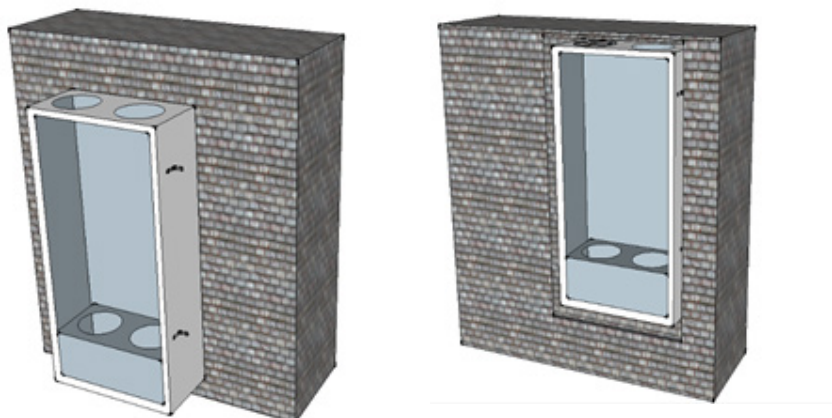
CEX-70 / AP20375 +
GEX-70 / AP20376

		CEX-70 / AP20375	CEX-70 / AP20375 + GEX-70 / AP20376
Width L	mm	698	698
Depth P	mm	310	310
Height H	mm	1200	1200 + 320
Bracket depth P2	mm	16	16
Outdoor air/ exhaust diameter DN	∅	160	160
Supply / exhaust diameter DN	∅	(6 + 6) x 75mm	(6 + 6) x 75mm
Condensate discharge diameter DN S	mm	20	20
Cable diameter DN S	mm	16	16
Weight	Kg	25	37

POSITIONING

For cabinet kit positioning:

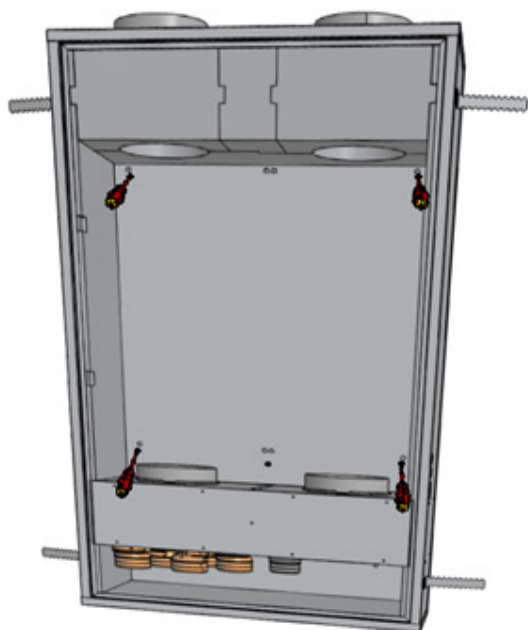
- prepare a suitable hole in the wall to house the cabinet kit;
- position the cabinet kit inside the wall



SECURING

To secure the cabinet kit it is possible to:

- secure the cabinet kit by the 4 rear holes, and based on the construction materials, using suitable screws and plugs;
- secure the cabinet kit by the 4 anchoring brackets on the two sides; In this case, after positioning, it needs to be secured with cement mortar and suitable products;

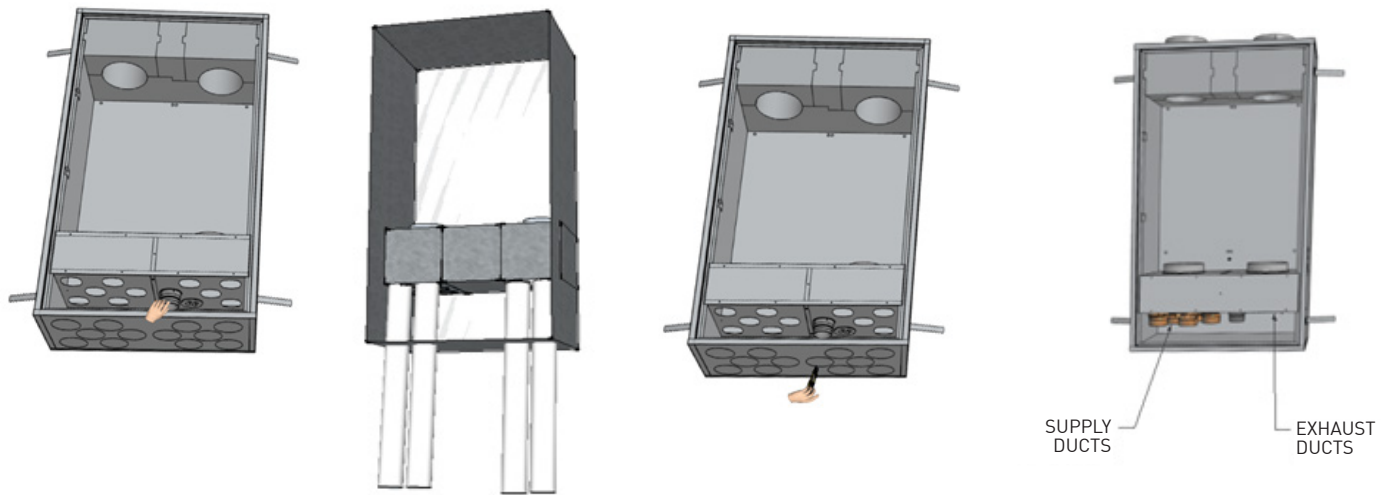


AERAULIC CONNECTION SET-UP

■ CORRUGATED PIPE CONNECTION TOWARDS INDOOR ROOMS

Inside the cabinet kit there are the connections for air distribution inside the building;
It is possible to install up to 6 corrugated pipes with diam. of 75 mm for both supply and return;
The body allows 6+6 corrugated pipes to pass through the bottom where the bottom insulation is installed;
On the other hand, the starting fittings are installed at the bottom of the plenum inside the body;

- Proceed with installation of the starting fitting in the desired position;
- Carefully cut the insulation with a cutter or mill with a diameter of 80mm;
- Then put the pipe in place and fit it to the starting fitting;



Room air supply and exhaust pipe positioning

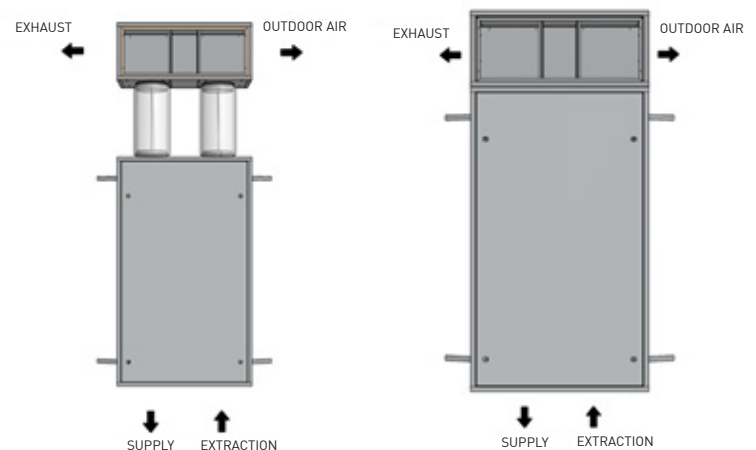
■ OUTDOOR AND EXHAUST AIR CONFIGURATIONS

For the outdoor and exhaust air connections it is possible to choose from two types of installation;

The first type refers to the cabinet kit with the Outdoor air accessory kit:

- 1 The cabinet kit is combined with the outdoor air kit to be connected by DN160 pipes to position the outdoor air kit at the chosen height;
- 2 The cabinet kit directly becomes the outdoor air exhaust and intake point through the outdoor air kit accessory positioned directly above the cabinet kit,

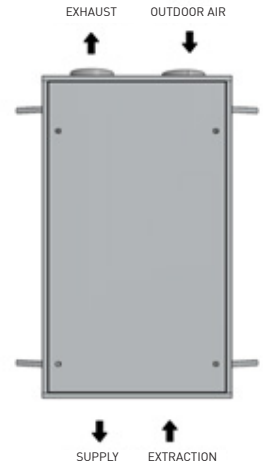
The air is ejected from the top right part, while it is drawn in from outdoors on the top left part;



Outdoor and exhaust air configurations with air outlet plenum

The second type, on the other hand, involves connection with dn160 ducts and outdoor and ejection air grids remotely controlled by the installer;

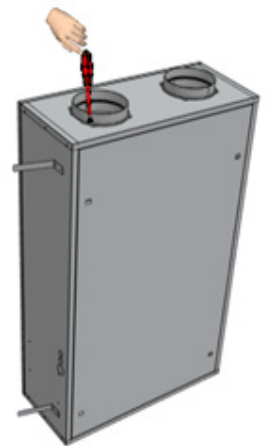
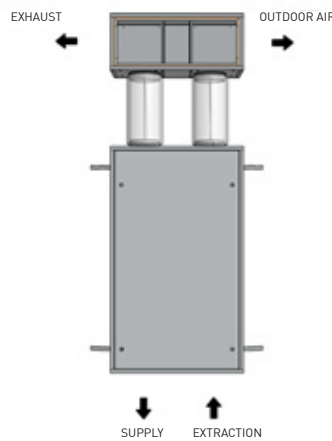
Outdoor and exhaust air configurations with ducts



■ CONNECTION WITH OUTDOOR AIR KIT

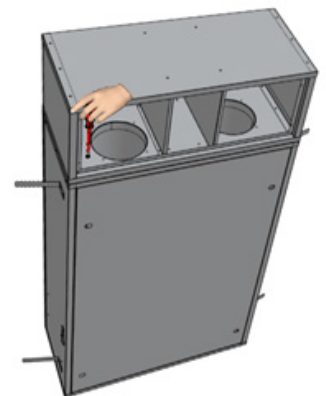
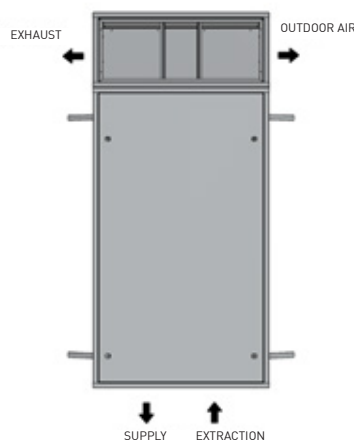
For installation with the outdoor air kit, there are two installation options;

- The first is through chosen nipples and pipes with diam. of 160mm with remote control of the outdoor air kit at a height on the wall that may be chosen by the installer;



The second through the direct assembly of the kit above the cabinet kit;
 In this case, proceed as shown in the figures on the side;
 Remove the sleeves of both cabinet kit and plenum, and place the plenum on top of the cabinet kit;
 Then, secure with the provided holes and screws;

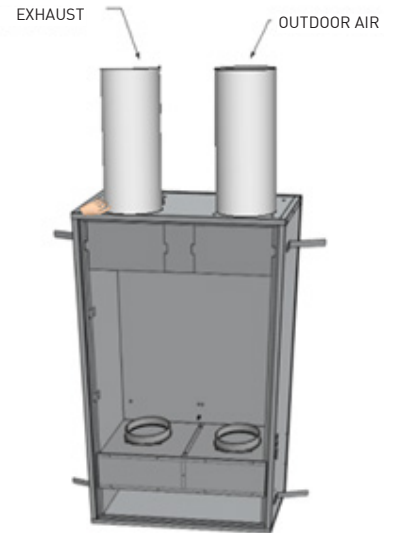
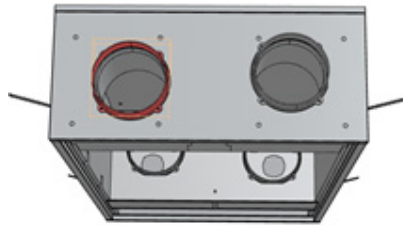
Outdoor air kit



■ OUTDOOR AND EXHAUST AIR PIPE CONNECTION

For installation with outdoor and exhaust air pipes, start from the two connections on the outside of the body through the nipple and chosen pipes with diam. of 160mm

Outdoor and exhaust air pipe positioning



SET-UP FOR ELECTRICAL AND CONDENSATION DISCHARGE CONNECTIONS

■ ELECTRICAL AND CONDENSATION DISCHARGE CONNECTIONS

Side entrances have been provided on both sides with pre-shearing of the cabinet kit for the set-up of electrical cables and condensation discharges;

For electrical cables there are two holes provided for inlet with dn20mm corrugated sheath;

There is a Dn24mm inlet provided for the condensation discharge;

Electrical and condensation discharge connections

