

CEX-70

INSTALLATION, USE AND MAINTENANCE MANUAL

1. GENERAL

1.1 INTRODUCTION

This manual was prepared with the aim of making the installation and management of your system as simple as possible.

By reading and applying the suggestions of this manual, you can achieve the best performance of the purchased product.

We would like to thank you for choosing to purchase one of our products.

Read this file carefully before performing any operation on the unit.

The unit must not be installed, nor must any operation be performed on it, without firstly reading and understanding the entirety of this manual. In particular it is necessary to adopt all of the precautions listed in the manual.

The documentation provided with the unit must be delivered to the system manager for safe keeping (at least 10 years) for future assistance, maintenance and repairs.

Unit installation must take into account the strictly technical needs for good operation, as well as any local legislation in force and specific requirements.

Make sure that when the unit is delivered there are no evident signs of damage caused by transport. If there is, state this on the delivery note.

This manual reflects the state of the technical standards at the time of sale and cannot be considered inadequate if updated at a later date based on new experiences. The Manufacturer reserves the right to update production and the manuals without being required to update previous ones, except in exceptional cases.

Contact the Manufacturer's Sales Office to receive further information or updates on/to the technical documentation and for any suggestions for improvement to this manual. All suggestions shall be strictly vetted.

1.2 FUNDAMENTAL SAFETY RULES



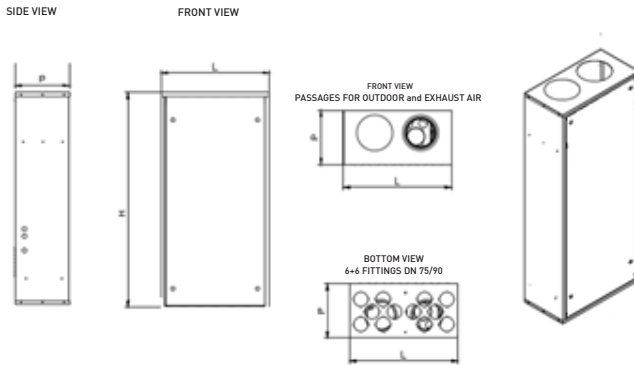
This instruction is an integral part of the manual of the device that the KIT is installed on. Refer to said manual for the GENERAL WARNINGS and for the FUNDAMENTAL SAFETY RULES. Installation must be carried out by qualified personnel equipped with the necessary PERSONAL PROTECTIVE EQUIPMENT. compliance with local regulations.



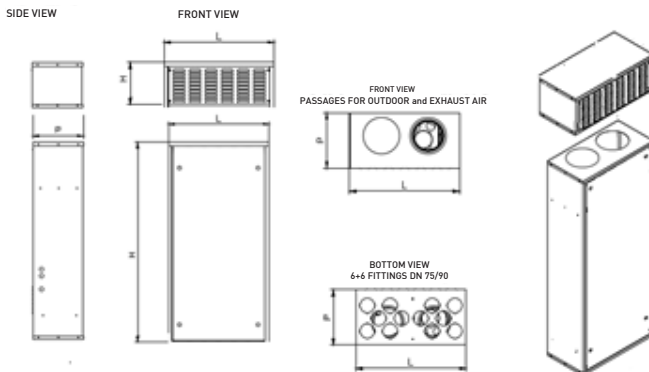
2. INSTALLATION

2.1 CABINET KIT DIMENSIONS

Below the cabinet kit dimensions are shown;



INSTALLATION WITH RECESSED CABINET KIT
CABINET KIT CEX-70 (code AP20375)



INSTALLATION WITH RECESSED CABINET KIT + AIR OUTLET PLENUM
CABINET KIT CEX-70 (code AP20375) + GEX-70 grids (code AP20376)

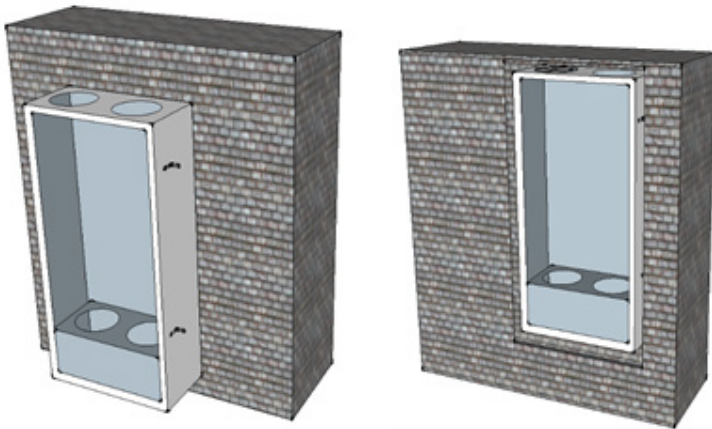
Model / code		CEX-70 / AP20375	CEX-70 / AP20375 + GEX-70 / AP20376
Width L	mm	698	698
Depth P	mm	310	310
Height H	mm	1200	1200 + 320
Bracket depth P2	mm	16	16
Outdoor air/exhaust diameter DN	∅	160	160
Supply / exhaust diameter DN	∅	(6 + 6) x 75mm	(6 + 6) x 75mm
Condensate discharge diameter DN S	mm	20	20
Cable diameter DN S	mm	16	16
Weight	Kg	25	37

2.2 UNIT POSITIONING

CABINET KIT POSITIONING

For cabinet kit positioning:

- prepare a suitable hole in the wall to house the cabinet kit;
- position the cabinet kit inside the wall

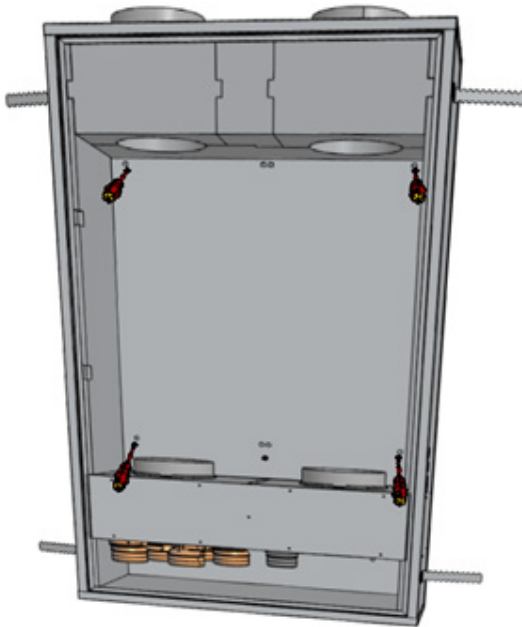


CABINET KIT SECURING



To secure the cabinet kit it is possible to:

- secure the cabinet kit by the 4 rear holes, and based on the construction materials, using suitable screws and plugs;
- secure the cabinet kit by the 4 anchoring brackets on the two sides; In this case, after positioning, it needs to be secured with cement mortar and suitable products;

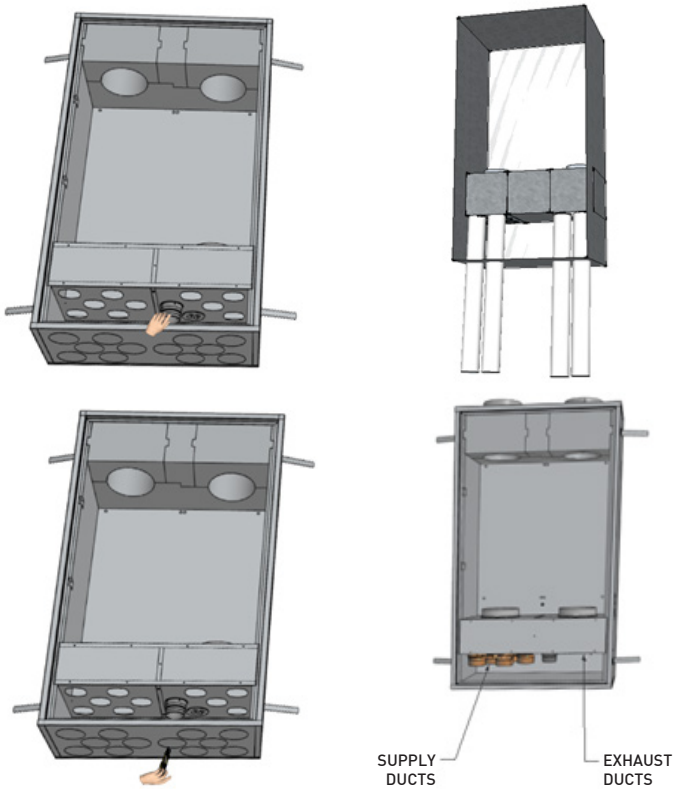


2.3 AERAULIC CONNECTION SET-UP

CORRUGATED PIPE CONNECTION TOWARDS INDOOR ROOMS

Inside the cabinet kit there are the connections for air distribution inside the building;
It is possible to install up to 6 corrugated pipes with diam. of 75 mm for both supply and return;
The body allows 6+6 corrugated pipes to pass through the bottom where the bottom insulation is installed;
On the other hand, the starting fittings are installed at the bottom of the plenum inside the body;

- Proceed with installation of the starting fitting in the desired position;
- Carefully cut the insulation with a cutter or mill with a diameter of 80mm;
- Then put the pipe in place and fit it to the starting fitting;



Room air supply and exhaust pipe positioning

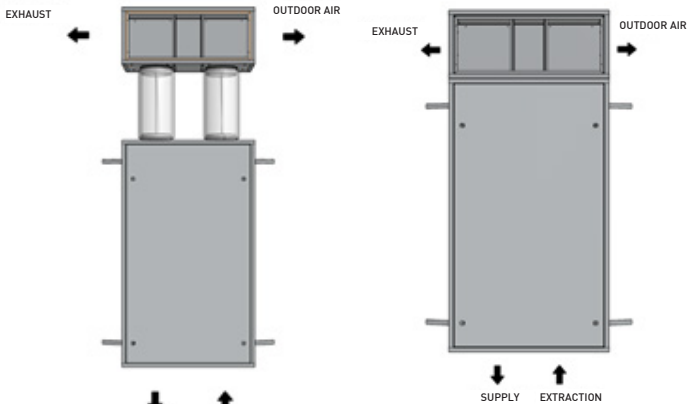
OUTDOOR AND EXHAUST AIR CONFIGURATIONS

For the outdoor and exhaust air connections it is possible to choose from two types of installation;

The first type refers to the cabinet kit with the Outdoor air accessory kit:

- 1 The cabinet kit is combined with the outdoor air kit to be connected by DN160 pipes to position the outdoor air kit at the chosen height;
- 2 The cabinet kit directly becomes the outdoor air exhaust and intake point through the outdoor air kit accessory positioned directly above the cabinet kit,

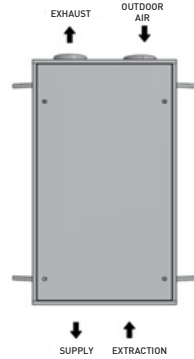
The air is ejected from the top right part, while it is drawn in from outdoors on the top left part;



Outdoor and exhaust air configurations with air outlet plenum

The second type, on the other hand, involves connection with dn160 ducts and outdoor and ejection air grids remotely controlled by the installer;

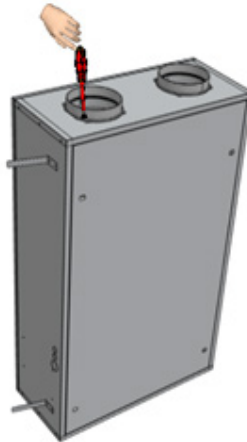
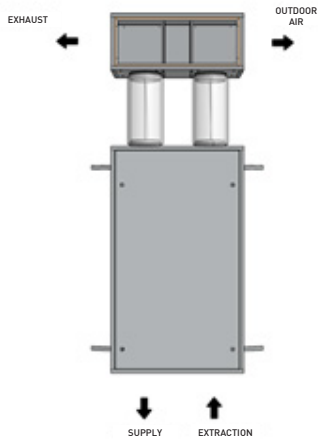
Outdoor and exhaust air configurations with ducts



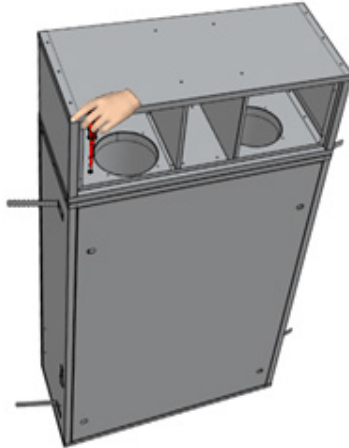
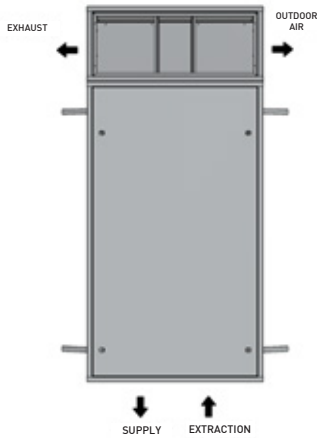
CONNECTION WITH OUTDOOR AIR KIT

For installation with the outdoor air kit, there are two installation options;

- The first is through chosen nipples and pipes with diam. of 160mm with remote control of the outdoor air kit at a height on the wall that may be chosen by the installer;

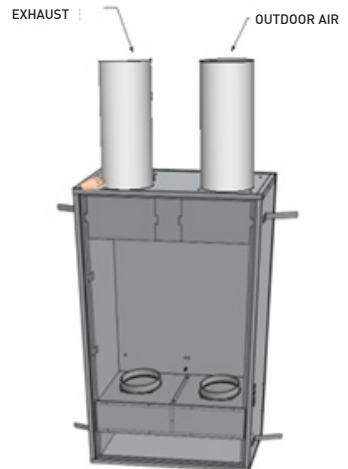
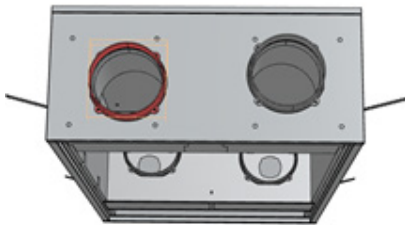


The second through the direct assembly of the kit above the cabinet kit;
In this case, proceed as shown in the figures on the side;
Remove the sleeves of both cabinet kit and plenum, and place the plenum on top of the cabinet kit;
Then, secure with the provided holes and screws;



OUTDOOR AND EXHAUST AIR PIPE CONNECTION

For installation with outdoor and exhaust air pipes, start from the two connections on the outside of the body through the nipple and chosen pipes with diam. of 160mm



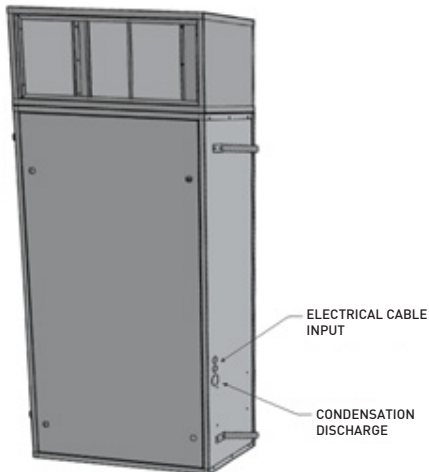
2.4 SET-UP FOR ELECTRICAL AND CONDENSATION DISCHARGE CONNECTIONS:

ELECTRICAL AND CONDENSATION DISCHARGE CONNECTIONS

Side entrances have been provided on both sides with pre-shearing of the cabinet kit for the set-up of electrical cables and condensation discharges;

For electrical cables there are two holes provided for inlet with dn20mm corrugated sheath;

There is a Dn24mm inlet provided for the condensation discharge;





A series of 20 horizontal dotted lines spaced evenly down the page, providing a guide for handwriting practice.



FANTINI COSMI S.p.A.

Via Dell'Osio, 6 - 20090 Calepio di Settala, Milan, Italy
Tel. +39 02 956821 | Fax +39 02 95307006
E-mail: info@aspira.it | supportotecnico@aspira.it

07/2020