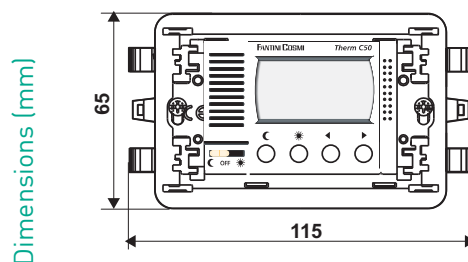


Therm C50

Flush-mounting room thermostat, with batteries, 2 temperature levels

Flush-mounting electronic room thermostat suitable to regulate the temperature in the heating and cooling installations, civil and industrial.



Dimensions (mm)

	Temperature regulation range	Differential*	Body admissible temperature	Power supply	Contacts rating	Protection degree
C50 <input type="checkbox"/>	8 ÷ 40 °C	± 0,5 K	- 10 ÷ 50 °C	3 batteries AAA 1,5V	5(3)A 250Vac	IP20

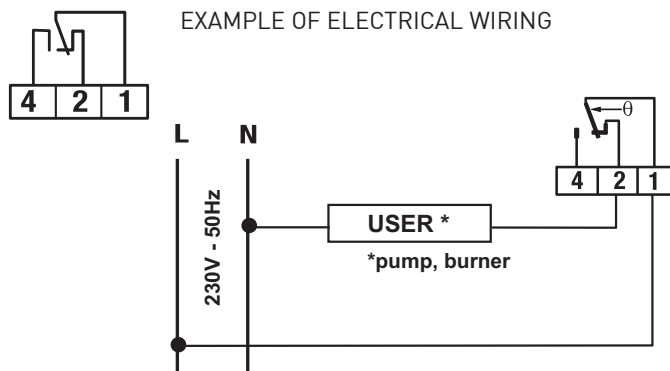
* Differential values are referred to a thermal gradient of 4K/h.

- C50 ANTHRACITE
- C50B WHITE
- C50C SILVER



ELECTRICAL FEATURES

Power supply with three 1,5V AAA alkaline long life batteries; electrical supply is not required.
Voltage-free switching contact.
Micro disconnection (1B).



HOMOLOGATION AND STANDARDS

Complies with EN 60730-2-9 standards.
ErP Class IV; 2% (Reg. EU 811/2013 - 813/2013)



INSTALLATION

Flush-mounting in 3-module 503 embedded boxes by means of 2 screws (supplied).

Two-wire connection with the user.

No changes are necessary to the existing system.

Can be applied, without any connection accessory, the following plates:

COMPATIBLE PLATES

BTICINO Living International, Living di transizione

BTICINO Light, Light Tech

BTICINO Living-light round LNA and square LNB

BTICINO Axolute

VIMAR Idea, Rondò and Plana

GEWISS Playbus e Playbus Young

AVE sistema 45, Noir, Blanc

AVE Banquise, Ave Yes

Siemens Delta Futura Graphit

Legrand Vela square and round

OPERATION

When the temperature increases: 1-2 opens, 1-4 closes.

Possibility to adjust two temperature levels, COMFORT (day) and ECONOMY (night), with manual switching between two modes.

Temperature regulation with one-tenth of a degree, with visualization on display.

FEATURES

3-position switch to select the temperature:


 ECONOMY

OFF (turn-off with frost protection)

 COMFORT

Large display with continuous indication of the read ambient temperature (thermometer) and the symbol of the current mode COMFORT, ECONOMY or OFF.

Fixed antifreeze temperature 8°C.

 double insulation.

The batteries are replaced through thermostat's front.

Batteries operation life of approximately 4 years.

Flashing display in case of insufficient batteries charge.

Maintenance of all data during batteries replacement.

Unit weight 0,13 Kg.

ACCESSORIES

Adapters for 75x45 plates (standard, included in the package).