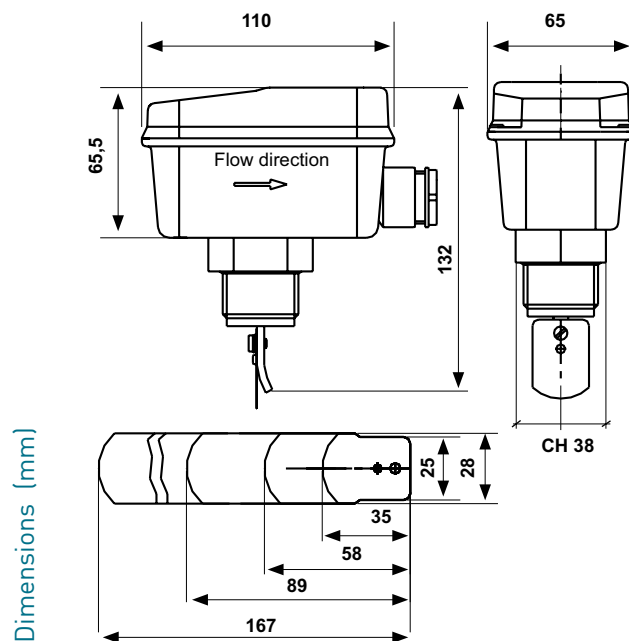


FF82

Flow switches for liquids with plastic casing and stainless steel paddle

FF82 flow switch controls the liquid flow in piping for cooling and heating systems.

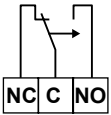


	Pipe diameter	Paddle length mm	Minimum calibration value (m ³ /h) with:		Maximum calibration value (m ³ /h) with:		Maximum operating pressure	Operating temperature	Protection degree
			rising flow	- dropping flow	rising flow	- dropping flow			
FF82	G 1	35	1	0,5	2	1,9	10 bar	-20 ÷ 110 °C	IP65
	G 1 1/4	35	1,2	0,7	2,9	2,7			
	G 1 1/2	58	1,6	1	3,9	3,6			
	G 2	58	2,9	2,1	6,1	5,7			
	G 2 1/2	89	4	2,7	7	6,5			
	G 3	89	6,1	4,3	11,4	10,7			
	G 4	89	14,7	11,3	28,9	27,6			
	*	167	7,9	6,1	18,4	17,3			
	G 5	89	28,3	22,8	55,5	53			
	*	167	12,8	9,2	26,7	25			
	G 6	89	43	35,8	85	81,6			
	*	167	16,8	12,2	32,5	30,5			
	G 8	89	85	72,4	172,3	165,5			
	*	167	46,4	38,5	94	90,7			

*These values are obtained adding the longest paddle.

ELECTRICAL FEATURES

SPDT single pole micro switch.



Nominal insulation voltage U_i 380V~
 Continuous nominal current I_{th} 10A
 Operating nominal current I_e :

Resistive load	AC-12	220V-	250V-
Inductive load	AC-15	-	16A
Direct current	DC-13	0,2A	3A
			-

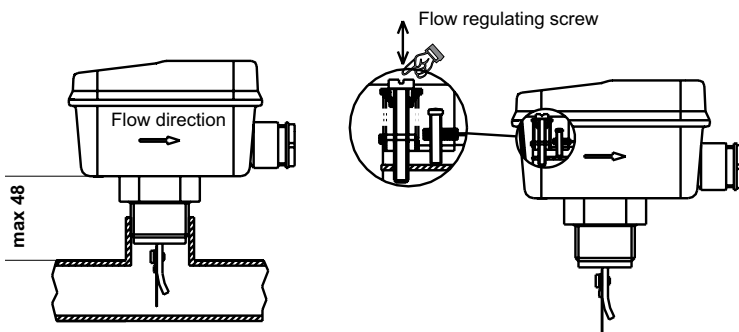
REGULATIONS AND APPROVALS

In compliance with EN 60947-5-1.

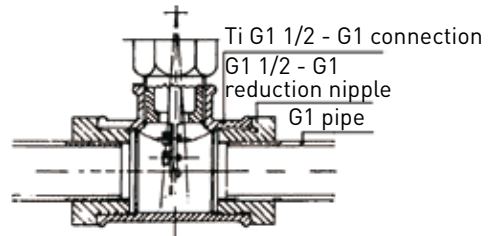
INSTALLATION

FF82 flow switch has to be installed on horizontal pipe sections, far from valves, pipe elbows, outlets or irregular flows.

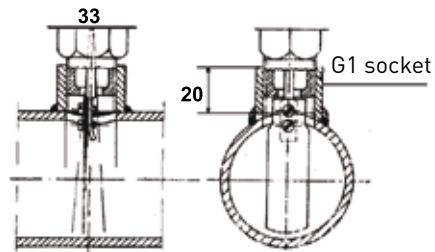
WORKING TEST



INSTALLATION EXAMPLE FOR G1 PIPES



INSTALLATION EXAMPLE FOR G2 – G10 PIPES



OPERATION

A flexible paddle, urged by the flow, operates on the actuation lever of a SPDT micro switch.

In heating systems with closed expansion duct where the circulation is assured by electro pumps, the heat input has to be automatically interrupted in case the circulation pumps are stopped.

When the flow is rising: it opens the C-NC contact and closes the C-NO contact.

When the flow is dropping: it closes the C-NC contact and opens the C-NO contact.

FEATURES

Shockproof thermoplastic casing.

AISI 301 stainless steel paddles for piping from G1 to G8.

Direct mounting with G1 threaded connection.

Electrical connections by 6,3mm female Faston.

Ground connection.

PG16 cable gland with concentric seal.

Maximum ambient temperature: 50°C.

Unit weight: Kg. 0,67.