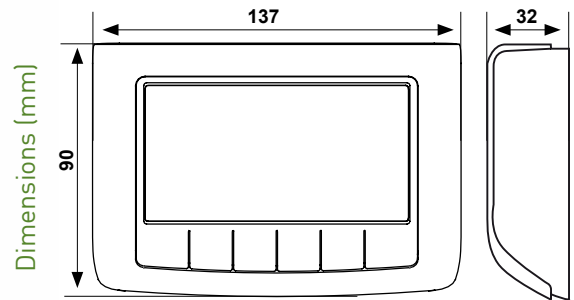


Intellicomfort CH140GSM

Weekly programmable thermostat with integrated GSM module

Electronic programmable thermostat with microprocessor and weekly program to control the heating and air-conditioning systems, possibility to remote control with text message.

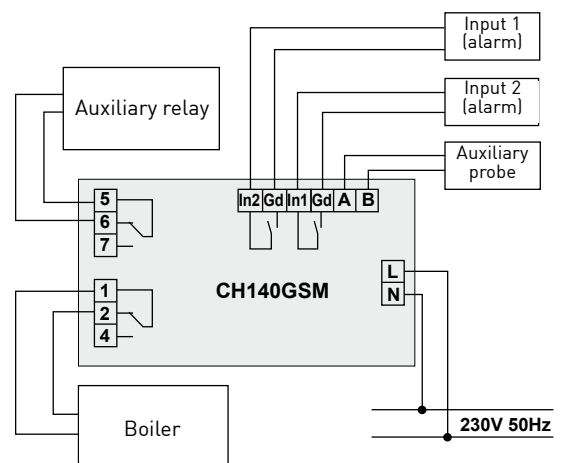


	Temperature range	Preset differential*	Displayed temperature	Adjustable antifreeze temperature range	Power supply	Contact rating
CH140GSM	2 ÷ 40 °C	0,1 K	-30 ÷ 60 °C	2 ÷ 7 °C	230V 50Hz	5(3)A 250Vca

* Differential values are related to a thermal gradient of 4K/h

ELECTRICAL CHARACTERISTICS

Software: A class
 SIM GSM in conformity to GSM 11.12 phase 2+ standard
 Power supply: 230V-50Hz
 Max absorbed power: 10W.
 Contact rating: 5(3)A 250Vac
 Voltage free switching contacts.
 Micro disconnection: 1 Bu.



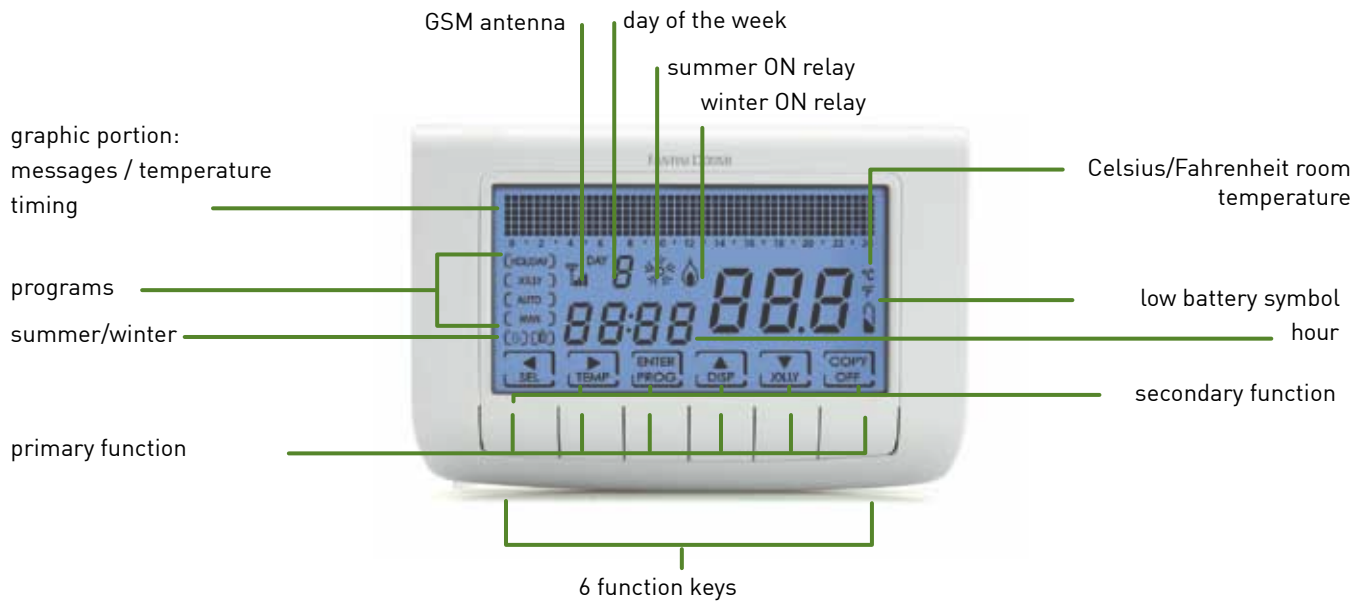
HOMOLOGATION AND STANDARDS

Complies with EN 60730-1 and following parts, R&TTE EN 301 489-1, EN 301 489-7, EN 301 511

INSTALLATION

IntelliComfort CH140GSM programmable thermostat has to be installed on the wall or in a 3 modules or round flush mounting box, at about 1,5 meters above the floor.

OPERATION



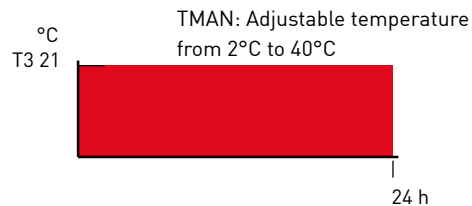
OPERATION MODES

IntelliComfort CH140GSM programmable thermostat allows different modes of use, called programs:

- MAN Manual program
- AUTO Weekly program
- HOLIDAY Daily program
- JOLLY Temporary program
- OFF Switched off system or antifreeze program

MAN

IntelliComfort CH140GSM programmable thermostat adjust the room temperature using the temperature set in 24 hours.



AUTO

IntelliComfort CH140GSM programmable thermostat manages the set temperatures according to the time programs on the weekly profile. It is provided with 1 preset winter program and 1 preset summer program.

In the Auto mode it is possible to set 3 temperature levels (T1-T2-T3).

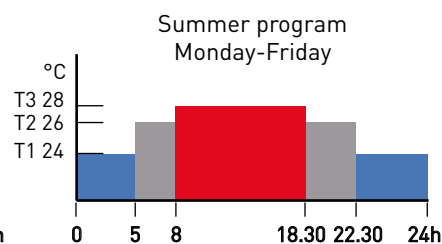
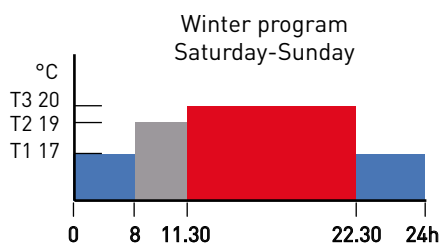
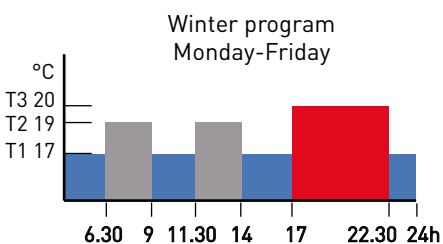
T1 can be set from 2°C to 40°C

T2 can be set from 2°C to 40°C

T3 can be set from 2°C to 40°C

Antifreeze temperature can be set from 2°C to 7°C

Note: T3 cannot be lower than T2 and T2 cannot be lower than T1.



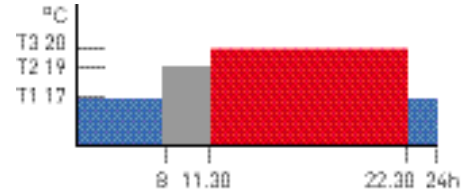
HOLIDAY

IntelliComfort CH140GSM programmable thermostat follows the timing and temperatures set in the "HOLIDAY" day.

Such program ends exclusively when another profile is selected.

The programmable thermostat is provided with a preset Holiday program same as Saturday and Sunday.

In the Auto mode it is possible to set 3 temperature levels (T1-T2-T3).



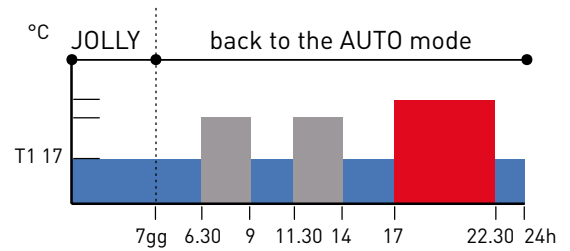
JOLLY

IntelliComfort CH140GSM programmable thermostat manage the system using 1 temperature that can be set on a variable period between 1 and 240 hours.

When such period finishes, the programmable thermostat resume the operation mode used before. Such operation can be excluded at anytime setting a different operation mode.

EXAMPLE: Auto Mode – Jolly for 1 week – When the Jolly period finishes, the programmable thermostat resume the Auto mode.

T1: manual temperature can be set from 2°C to 40°C.



OFF

Operation mode to manage the antifreeze temperature from 2°C to 7°C.

It switches the system off completely (T1=OFF).

REMOTE PROGRAMMING THROUGH SMS

By using GSM function is possible:

- to control the home temperature,
- to program the home temperature,
- to receive notification about changes of the two alarm contacts status (for e.g., a boiler alarm, an antitheft alarm, a low temperature alarm, a boiler malfunction, an alarm for sewage tanks overflow, etc.),
- to turn on or off an external user at 230VAC, 500W (such as irrigation system) through an internal relay.

CH140GSM allows a remote user to send an SMS with the possibility to know only the system state or to command the state to be located in.

During the whole remote control, on CH140GSM display appears several times the inscription "Received Remote Command".

GSM antenna symbol flashes quickly on the display if isn't possible to register to GSM network (low network level, CH140GSM is installed in a not reachable location, no SIM-card inserted or invalid SIM-card, etc.).

The flashing becomes slower if the chronothermostat is properly connected to the GSM network.

In addition, from two minutes after turning on the device for about 7 minutes, you will see a measure of field intensity, with a maximum of three accessed bars next to the antenna symbol.

EXAMPLE OF INFORMATIONS FOR HEATING SYSTEM

SMS-messages used to manage CH140GSM chronothermostat are the following:

- Sending SMS

#STATUS

allows knowing CH140GSM, alarms and relay state.

When was sent such message, CH140GSM in less than one minute, responds with two state SMS composed as follows (an example of real operation in AUTO mode):

- Responding SMS

FIRST message

TAMB=22.9 current ambient temperature reading
T1=17.0 set temperature T1
T2=19.0 set temperature T2
T3=23.0 set temperature T3
TOFF=5.0 set temperature T Antifreeze
TMAN=16.5 set temperature T Manual
TJOL=19.0 set temperature T Jolly
HJOL=1 Jolly program duration (hours)
DJOL=0 Jolly program duration (days)
PROGRAM=AUTO prescribed program on CH140GSM
REMOTE=--- remotely prescribed program (--- : none)
PLANT=OFF chronothermostat relay state
BATT=HI CH140GSM batteries state

second message

INPUT1=OFF alarm 1 state
INPUT2=OFF alarm 2 state
OUTPUT=OFF relay state

SPECIAL FEATURES

features can be set from the programmable thermostat menu.

FREQUENT SETTING MENU

- Summer/winter
- Daylight Saving Time / Standard Time
- Hour / Day setting

CONFIGURATION MENU

- Celsius / Fahrenheit
- Temperature correction
- Time profile customization
- Seconds to switch the illumination display on
- Display illumination intensity
- Languages: Italian, English, French, Spanish, Russian
- Key guard with Password
- Default parameter new setting

OPERATING OF THE AUXILIARY RELAY

- text message input
- SUMMER mode
- PROGRAMMED (time on, time off)

FEATURES

2 auxiliary alarm inputs.

Auxiliary relay output (free voltage contacts) programmable by user.

Input for remote temperature probe.

Buffer battery to keep the time and switch the system off in case of blackout.

Dimensions: 137x90x27 mm.

FANTINI COSMI SYSTEM

SEPARATE PROBE

Connection with 2 wires



EC18 external probe



EC19 floor probe



EC20 ambient probe

IntelliClima

IntelliClima is the intuitive App in addition to the text messages controls that allows the management of the thermostat from the smartphone.

With the new App it's possible to set the temperature, turn on/off the heating system. The system allows to message at the same time different scenarios by mean of the interface.



Compatible with iOS and Android, to download from the stores (iTunes - Google Play).