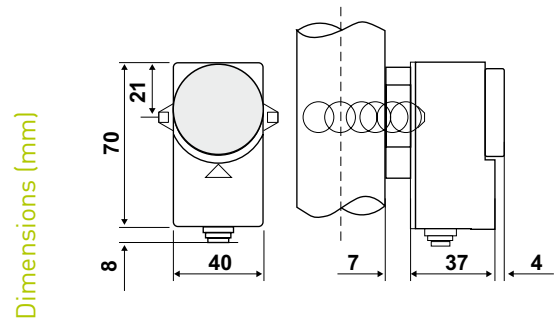


C01A

Strap-on pipe thermostat

Thermostat to control water temperature in heating pipe installations, for example to switch-off the circulation pump when the water temperature has dropped or to switch-on the air heater when the water temperature reaches the set value.

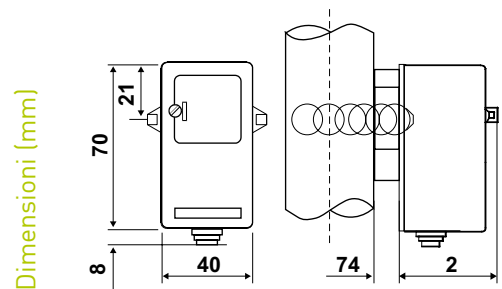


Dimensioni (mm)

	Temperature range	Differential*	Calibration accuracy	Admissible body temperature	Maximum bulb temperature	Protection degree
C01A	20 ÷ 90 °C	8 K	± 3 °C	85 °C	120 °C	IP40
C01B	10 ÷ 60 °C	8 K	± 3 °C	85 °C	120 °C	IP40
C01AM	20 ÷ 90 °C	8 K	± 3 °C	85 °C	120 °C	IP40

*The differential is subtracted from the range value. The differential values refer to a thermal gradient of 6K/hour, 1K/min with heat-conducting paste bags.

Execution with internal regulation



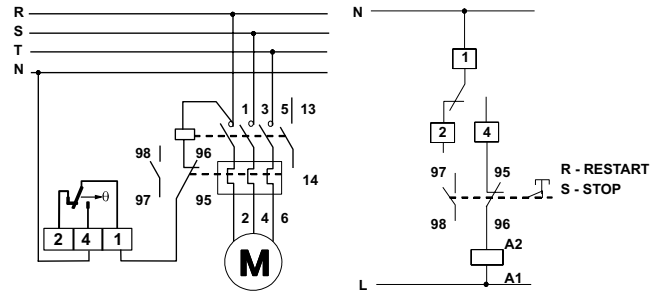
Dimensioni (mm)

	Temperature range	Differential*	Calibration accuracy	Admissible body temperature	Maximum bulb temperature	Protection degree
C01ARI	20 ÷ 90 °C	8 K	± 3 °C	85 °C	120 °C	IP40

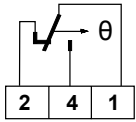
*The differential is subtracted from the range value. The differential values refer to a thermal gradient of 6K/hour, 1K/min with heat-conducting paste bags.

ELECTRICAL FEATURES

Two directions microswitch of instant action with AGcdO contacts.
 Contact parameters in compliance with EN 60730-1: 15(6)A 250V~ 50Hz.
 Parameters in compliance with EN 60947-5-1:
 Nominal insulation voltage: U_i 380V~.
 Nominal continuous current: I_{th} 15A.
 Nominal operating current I_e : 220V~ 250V~ 380V~
 Resistive load AC-12 - 15A 10A
 Inductive load AC-15 - 2,5A 1,5A
 Direct current DC-13 0,2A - -



The circulation pump stops when the temperature drops below the detachment value.



STANDARDS AND APPROVALS

Compliance with standards EN 60947-5-1, EN60730-1



INSTALLATION

Installation on the pipeline through the elastic metallic tape, supplied with a length of 26 cm.
 Heat-conducting metallic paste for heat exchange improvement (on request).

OPERATION

When the temperature increases: 1-2 are opening, 1-4 are closing.
 Liquid expansion function.

Temperature measurement by means of the direct contact located between the pipeline surface and the sensing element (may be used a heat-conducting metallic paste, available on request).

FEATURES

Sensing element with stainless steel diaphragm, including support with hooks for the elastic metallic tape (included in the package).
 Base, cover and knob in shock-proof self-extinguishing thermoplastic material V0.
 Electrical connection output with PVC cable gland.
 Storage and transport temperature: $-35 \div 120$ °C.
 Unit weight: 0,16 Kg.
 Protection level: IP40.

ACCESSORIES



303298LA
 Cable gland G1/2 for connection output in shock-proof self-extinguishing thermoplastic material V0.



2055060
 Heat-conducting paste bags.