

ROOF AXIAL EXTRACTOR FANS

SERIES ATE

➔ horizontal flux

DESCRIPTION:

The extractor fans of the ATE are designed for roof mounting and are suitable for foul air extraction from large industrial environments, like: warehouses, workshops, parking areas, locker rooms and anywhere high flow rates at relatively low pressures are required.

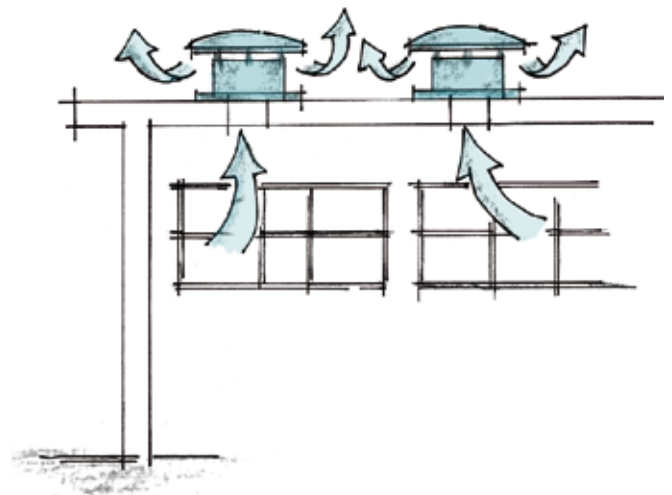
The design features of these extractor fans allow a quick and secure roof mounting.

MAIN FEATURES:

- Galvanized steel sheet structure.
- Impeller with aluminium hub and wing profile blades made of thermoplastic PPG resin.
- PST shock-resistant thermoplastic material protection dome.
- Steel safety grille.
- Eye bolts suitable for lifting the fan.
- Self-ventilated motor - Class F - IP55 - "LONG LIFE" ball bearings.
- For continuous operation in environments with air temperature range $-25^{\circ}\text{C} \div +50^{\circ}\text{C}$.
- 2 speed motor models can be controlled by a three-phase polarity switch, not supplied as an accessory but easy to find on sale.

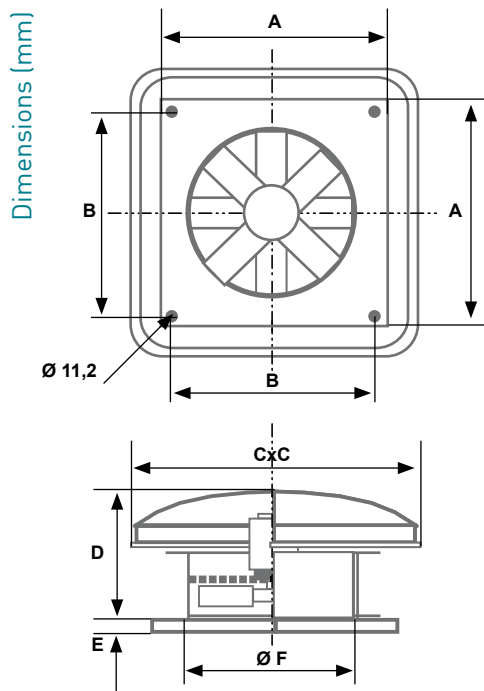
ACCESSORIES:

- Phase slicing speed regulator for monophase motors.
- Backdraught gravity shutter.
- Safety switch supplied as an accessory but already built on the fan motor as standard.



DIMENSIONS

MODEL	A	B	C x C	D	E	ØF
ATE 400	650	550	750	500	40	410
ATE 450	700	600	750	520	40	468
ATE 500	750	650	750	540	40	515
ATE 560	850	750	1000	650	45	564
ATE 630	900	800	1000	700	45	640
ATE 710	1000	900	1000	700	45	715
ATE 800	1100	1000	1400	720	45	810
ATE 900	1250	1150	1400	740	45	912
ATE 1000	1400	1300	1400	760	45	1013



TECHNICAL SPECIFICATIONS

ATE SERIES - MONOPHASE

230V - 50/60HZ

CODE	MODEL	m ³ /hr	Pt max mmH ₂ O	Ref. curves	Rpm nom.	Kw	MOTOR				dB(A) 3mt	Kg
							A	Cl. Is.	IP			
4 POLES												
AP11001	ATE 404 M	3600	7	1	1400	0,25	2,2	F	55	59	36	
AP11002	ATE 454 M	5000	8,5	2	1400	0,37	3,1	F	55	61	44	
AP11003	ATE 504 M	6000	11	3	1400	0,55	3,9	F	55	64	55	
AP11004	ATE 564 M	9600	12	4	1400	1,1	7	F	55	68	65	
6 POLES												
AP11005	ATE 406 M	2500	2	6	950	0,12	0,8	F	55	50	32	
AP11006	ATE 456 M	3200	3	7	950	0,18	2	F	55	52	42	
AP11007	ATE 506 M	4000	4	8	950	0,25	2,5	F	55	54	53	
AP11008	ATE 566 M	5100	5,5	9	950	0,37	3,2	F	55	60	62	

ATE SERIES - THREE-PHASE

230V Δ - 400V λ - 50/60Hz

CODE	MODEL	m ³ /hr	Pt max mmH ₂ O	Ref. curves	Rpm nom.	Kw	MOTOR				dB(A) 1,5mt	Kg.
							A(230VΔ)	A(400Vλ)	Cl. Is.	IP		
4 POLES												
AP11010	ATE 404 T	3600	7	1	1400	0,25	1,4	0,81	F	55	59	36
AP11011	ATE 454 T	5000	8,5	2	1400	0,37	1,9	1,1	F	55	61	44
AP11012	ATE 504 T	6000	11	3	1400	0,55	2,6	1,5	F	55	64	55
AP11013	ATE 564 T	9600	12	4	1400	1,10	4,8	2,8	F	55	68	65
AP11014	ATE 634 T	14000	15	5	1400	1,50	6,2	3,6	F	55	70	80

ATE SERIES - THREE-PHASE

230V Δ - 400V λ - 50/60Hz

CODE	MODEL	m ³ /hr	Pt max mmH ₂ O	Ref. curves	Rpm nom.	MOTOR				dB(A) 1,5mt	Kg.	
						Kw	A(230VΔ)	A(400Vλ)	Cl. Is. IP			
6 POLES												
AP11015	ATE 406 T	2500	2	6	950	0,12	1,2	0,7	F	55	50	32
AP11016	ATE 456 T	3200	3	7	950	0,18	1,2	0,71	F	55	52	42
AP11017	ATE 506 T	4000	4	8	950	0,25	1,56	0,9	F	55	54	53
AP11018	ATE 566 T	5100	5,5	9	950	0,37	2,0	1,15	F	55	60	62
AP11019	ATE 636 T	7100	6	10	950	0,55	2,8	1,6	F	55	62	75
AP11020	ATE 716 T	10500	7	11	950	0,75	3,8	2,2	F	55	63	90
AP11021	ATE 806 T	18000	10,5	12	950	1,50	6,6	3,8	F	55	69	105
AP11022	ATE 906 T	22000	13,5	13	950	2,20	9,4	5,4	F	55	71	150
AP11023	ATE 1006 T	34000	17	14	950	4,00	15,6	9	F	55	74	170
8 POLES												
AP11024	ATE 568 T	4000	3,8	15	700	0,18	1,5	0,86	F	55	54	61
AP11025	ATE 638 T	6000	4,9	16	700	0,25	1,9	1,1	F	55	56	73
AP11026	ATE 718 T	8200	6	17	700	0,37	2,4	1,4	F	55	59	88
AP11027	ATE 808 T	13000	7,5	18	700	0,55	3,6	2	F	55	62	97
AP11028	ATE 908 T	19000	10,5	19	700	1,10	5,5	3,2	F	55	66	146
AP11029	ATE 1008 T	26000	11	20	700	1,50	6,9	4	F	55	68	140

ATE SERIES - 2 SPEED THREE-PHASE

400V - 50/60HZ

CODE	MODEL	m ³ /hr	Pt max mmH ₂ O	Ref. curves	Rpm nom.	MOTOR				dB(A) 3mt	Kg.
						Kw	A	Cl. Is. IP			
4 - 6 POLES											
AP11035	ATE 404-6 DT	3600/2500	7/4	1 6	1400/950	0,26/0,09	0,82/0,55	F	55	59/50	37
AP11036	ATE 454-6 DT	5000/3200	8,5/3	2 7	1400/950	0,37/0,12	1,1/0,7	F	55	61/52	46
AP11037	ATE 504-6 DT	6000/4000	11/4	3 8	1400/950	0,55/0,18	1,5/0,7	F	55	64/54	57
AP11038	ATE 564-6 DT	9600/5100	12/5,5	4 9	1400/950	1,1/0,37	2,8/1,15	F	55	68/60	68
AP11039	ATE 634-6 DT	14000/7100	15/6	5 10	1400/950	1,7/0,60	3,8/1,7	F	55	70/62	89
6 - 8 POLES											
AP11040	ATE 566-8 DT	5100/4000	5,5/3,8	9 15	950/700	0,37/0,15	1,15/0,7	F	55	60/54	64
AP11041	ATE 636-8 DT	7100/6000	6/4,9	10 16	950/700	0,66/0,33	1,8/1,25	F	55	62/56	82
AP11042	ATE 716-8 DT	10500/8200	7/6	11 17	950/700	0,9/0,45	6,7/2,6	F	55	63/59	100
AP11043	ATE 806-8 DT	18000/13000	10,5/7,5	12 18	950/700	1,8/1	2,6/1,6	F	55	69/62	114
AP11044	ATE 906-8 DT	22000/19000	13,5/10,5	13 19	950/700	1,47/0,58	4/3,1	F	55	71/66	172
AP11045	ATE 1006-8 DT	34000/26000	17/11	14 20	950/700	4/1,7	3,7/1,8	F	55	74/68	185

ACCESSORIES

MONOPHASE SPEED REGULATORS

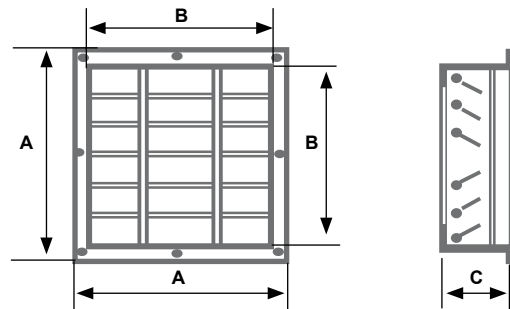
CODE	MODEL	to control the ATE series models
AP2600	RDV 3-MF	404M, 406M, 456M
AP2642	RDV 5-MF	454M, 506M, 566M
AP2645	RDV 10D-MF	504M



GRAVITY SHUTTERS

CODE	MODEL	A	B	C	Kg
AP19250	SAG 400	505	445	190	6,5
AP19251	SAG 450	555	495	190	7,6
AP19252	SAG 500	605	545	190	8,7
AP19253	SAG 560	665	605	190	10,5
AP19254	SAG 630	795	735	190	12
AP19255	SAG 710	815	755	190	14,5
AP19256	SAG 800	905	845	190	16
AP19257	SAG 900	1005	945	190	18
AP19258	SAG 1000	1145	1085	240	20

Dimensions (mm)



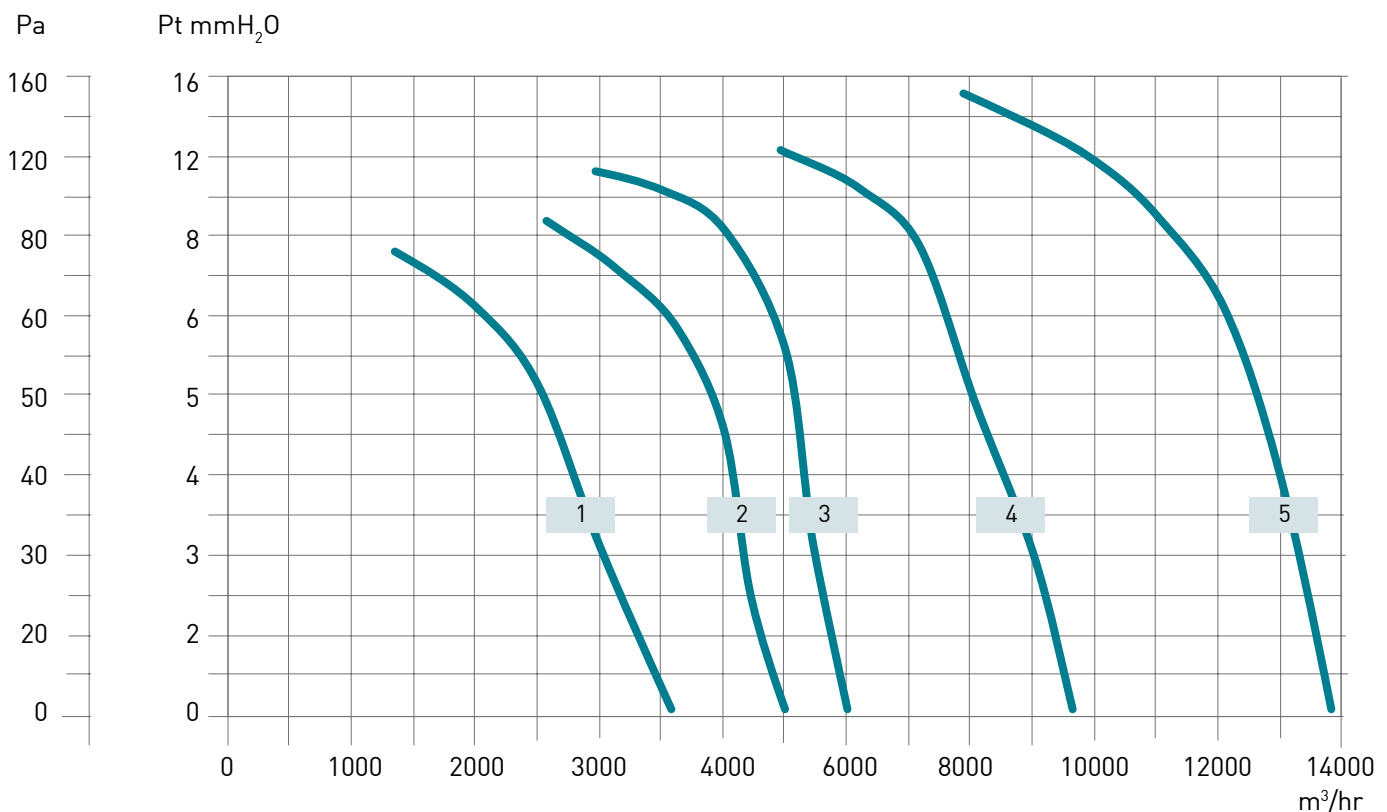
SAFETY SWITCH This accessory is supplied, on request, already mounted on the fan.

CODE	MODEL	to control models of the ATE series
AP19370	IDS 1	for 1-speed motors
AP19371	IDS 2	for 2-speed motors

CHARACTERISTIC CURVES

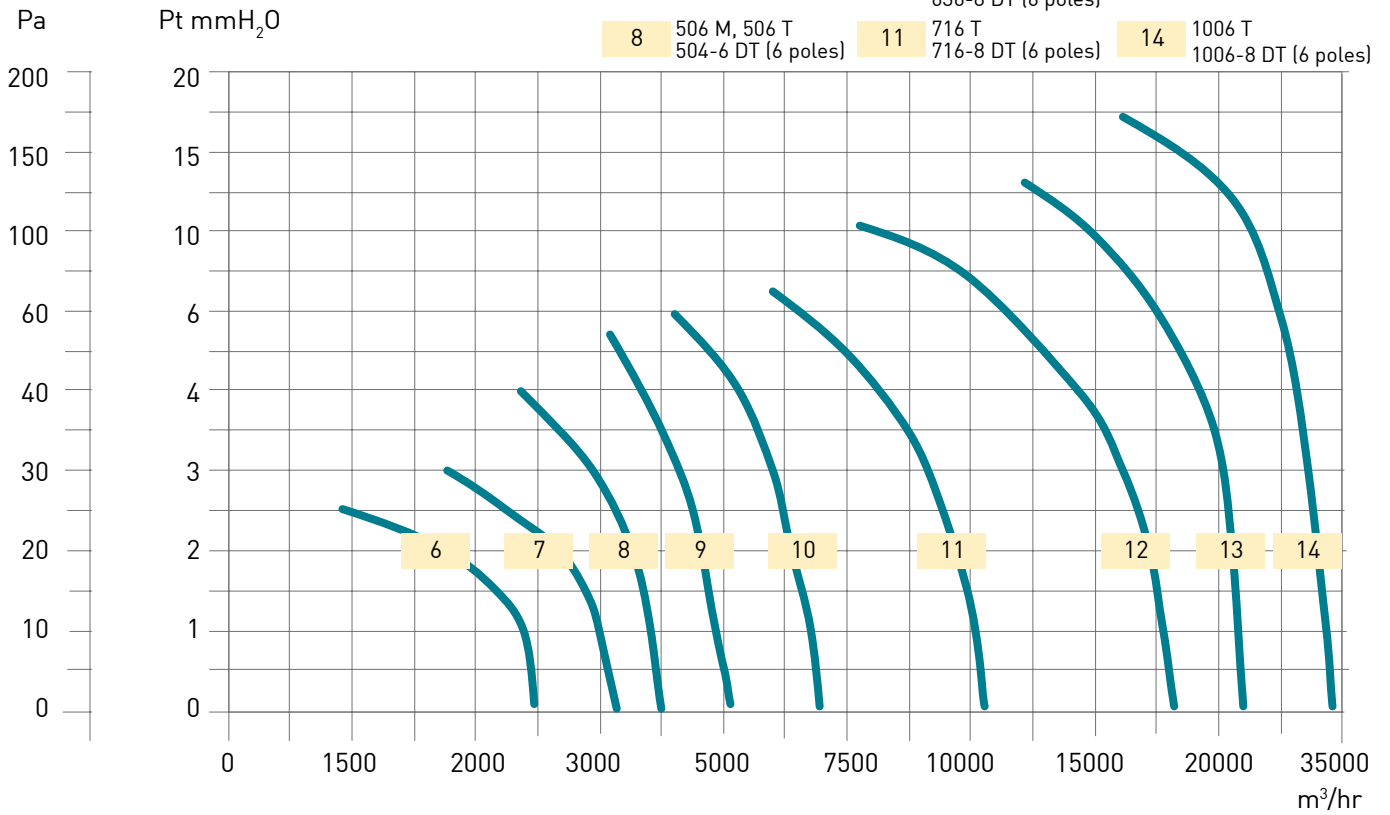
ATE SERIES - 4 POLES - 1400 RPM

1	404 M, 404 T 404-6 DT (4 poles)	3	504 M, 504 T 504-6 DT (4 poles)	5	634 T 634-6 DT (4 poles)
2	454 M, 454 T 454-6 DT (4 poles)	4	564 M, 564 T 564-6 DT (4 poles)		



ATE SERIES - 6 POLES - 950 RPM

6	406 M, 406 T 404-6 DT (6 poles)	9	566 M, 566 T 564-6 DT (6 poles) 566-8 DT (6 poles)	12	806 T 806-8 DT (6 poles)
7	456 M, 456 T 454-6 DT (6 poles)	10	636 T 634-6 DT (6 poles) 636-8 DT (6 poles)	13	906 T 906-8 DT (6 poles)
8	506 M, 506 T 504-6 DT (6 poles)	11	716 T 716-8 DT (6 poles)	14	1006 T 1006-8 DT (6 poles)



ATE SERIES - 8 POLES - 700 RPM

15	568 T 566-8 DT (8 poles)	17	718 T 716-8 DT (8 poles)	19	908 T 906-8 DT (8 poles)
16	638 T 636-8 DT (8 poles)	18	808 T 806-8 DT (8 poles)	20	1008 T 1006-8 DT (8 poles)

