

ROOF CENTRIFUGAL FANS

ASPIRFIRE SERIES

➔ for fireplace and industrial applications

DESCRIPTION:

The roof extractor fans of the ASPIRFIRE series have been designed to extract smoke from fireplaces. It can be used as an extractor fan when the fireplace is not lit.

Their use is necessary when the chimney's natural draught is not sufficient.

ASPIRFIRE 200 N can be used for extraction of hot fumes up to a temperature of 200°C.

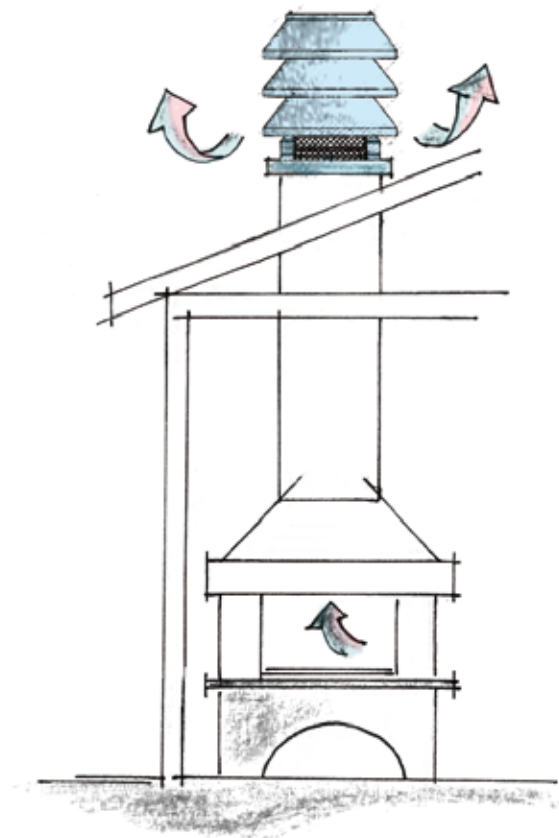
Remark: The extractor fan must be on when the fireplace is lit to avoid overheating of the motor.

MAIN FEATURES:

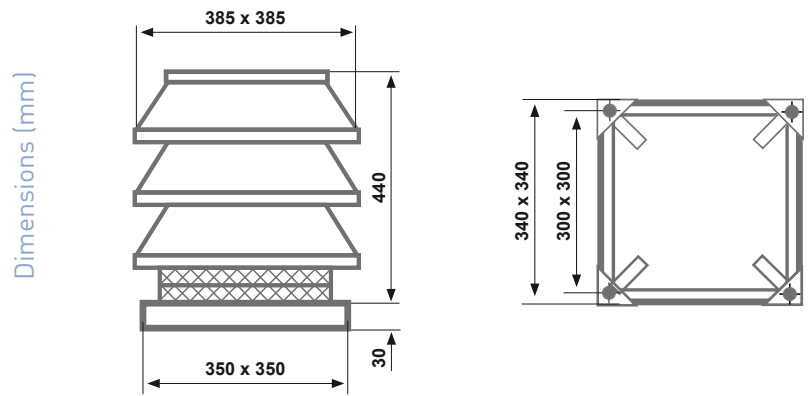
- Galvanized steel body.
- Backward curved impeller in galvanized steel, statically and dynamically balanced.
- Steel safety grille.
- Chimney minimum diameter 170mm or 150x150mm.
- Supplied with chimney fixing counter-basement.

ACCESSORIES:

- RDV3-MF Speed regulator.



DIMENSIONS



TECHNICAL SPECIFICATIONS

CODE	MODEL	m ³ /h	Pt max mmH ₂ O	Rpm nom.	MOTOR			dB(A) 6 mt	Kg
					Kw	A	IP		
AP7900	ASPIRFIRE 200 N	1000	20	1400	0,09	0,5	44	50	18

CHARACTERISTIC CURVES

ASPIRFIRE SERIES - MONOPHASE

230V - 50HZ

