

# AXIAL FANS

## AFM SERIES

➔ for direct outdoor air exhaust or through a short duct

### DESCRIPTION:

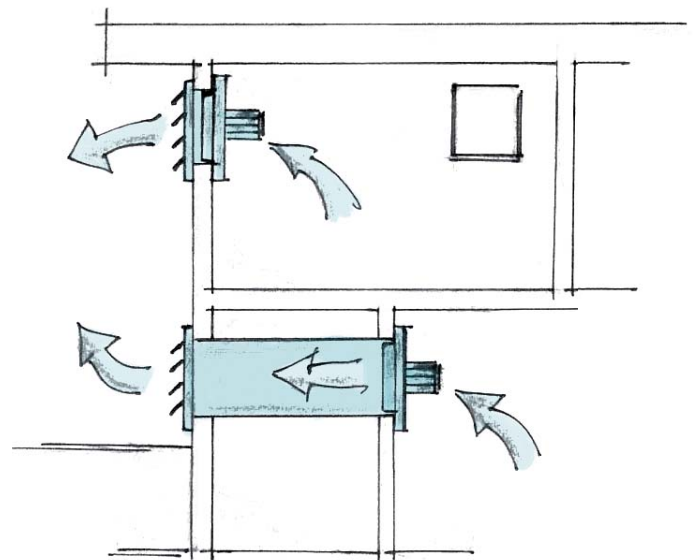
The AFM series axial fans are designed to be installed in domestic and commercial environments, where is required direct outdoor air expulsion. Not suitable for acid and dusty air. These fans are designed for installation on walls, panels or ventilation ducts with limited air losses.

### MAIN FEATURES:

- Steel body tinted with epoxy resin coating.
- Impeller made of metal with 6 blades and galvanized steel hub.
- Impeller is statically and dynamically balanced
- Asynchronous motor with aluminium body, IP55, Class F, S1.
- Motor complying to 2009/125/CE ErP directive.
- Three-phase 400V and Mono-phase 230V motors.
- Safety grille painted with epoxy powder.
- For continuous operation in environments with max temperature 40°C.

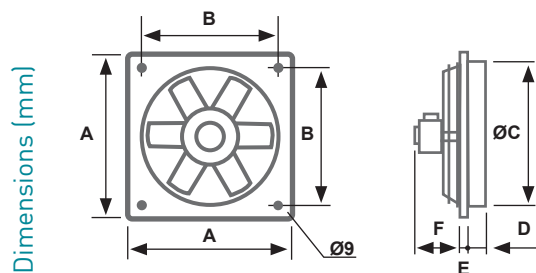
### ACCESSORIES:

- Phase slicing speed regulator for monophase motors.
- Safety protection grille for the fan delivery side, for external wall installation.
- Gravity shutter for external wall application, made from high density polyethylene plastic, UV rays stabilized and resistant against atmospheric agents corrosion action.
- The CGE 500/AFM and CGE 600/AFM gravity shutters are made of epoxy resin coated steel sheets with a safety grille incorporated.



# DIMENSIONS

MODEL	A	B	ØC	D	E	F
AFM 250	350	300	255	40	15	183
AFM 300	400	350	317	40	15	230
AFM 350	450	400	356	40	15	235
AFM 400	500	450	400	40	15	245
AFM 450	550	500	451	40	15	245
AFM 500	600	550	503	50	15	275
AFM 560	680	630	559	50	15	251
AFM 630	730	680	634	100	15	285
AFM 710	950	880	711	167	25	315



# TECHNICAL SPECIFICATIONS

AFM SERIES - MONOPHASE

230V - 50HZ

CODE	MODEL	m <sup>3</sup> /h	Pt max [Pa]	Rif. curves	Rpm nom.	MOTOR				dB(A) 3mt	Kg
						Kw	A	Cl. Is.	IP		
<b>2 POLES</b>											
AP4300	AFM 250/2 MF	2150	148	1	2800	0,30	1,40	F	55	63,5	7,4
AP4304	AFM 300/2 MF	3480	261	2	2800	0,63	3,10	F	55	67,5	9,9
<b>4 POLES</b>											
AP4302	AFM 250/4 MF	1140	40	3	1400	0,18	0,80	F	55	50,5	7,4
AP4306	AFM 300/4 MF	2250	64	4	1400	0,18	0,80	F	55	57,5	8,1
AP4308	AFM 350/4 MF	3200	79	5	1400	0,18	1,10	F	55	60,5	10,1
AP4310	AFM 400/4 MF	4700	102	6	1400	0,42	2,10	F	55	64,5	11,8
AP4314	AFM 450/4 MF	5840	136	7	1400	0,60	2,80	F	55	64,5	12,7
AP4318	AFM 500/4 MF	7560	175	8	1400	0,84	3,90	F	55	66,5	19,5
AP4320	AFM 560/4 MF	10530	225	9	1400	1,12	5,30	F	55	70,5	21,4

AFM SERIES - THREE-PHASE

400V - 50Hz

CODE	MODEL	m <sup>3</sup> /h	Pt max [Pa]	Rif. curves	Rpm nom.	MOTOR				dB(A) 3mt	Kg
						Kw	A(400V)	Cl. Is.	IP		
<b>2 POLES</b>											
AP4330	AFM 250/2 TF	2150	148	1	2800	0,28	0,63	F	55	63,5	7,4
AP4334	AFM 300/2 TF	3480	261	2	2800	0,54	0,98	F	55	66,5	9,9
<b>4 POLES</b>											
AP4332	AFM 250/4 TF	1140	40	3	1400	0,18	0,45	F	55	50,5	7,4
AP4336	AFM 300/4 TF	2250	64	4	1400	0,18	0,45	F	55	57,5	8,1
AP4338	AFM 350/4 TF	3200	79	5	1400	0,20	0,50	F	55	60,5	10,1
AP4340	AFM 400/4 TF	4700	102	6	1400	0,39	0,91	F	55	64,5	11,8
AP4344	AFM 450/4 TF	5840	136	7	1400	0,54	1,10	F	55	64,5	12,7
AP4348	AFM 500/4 TF	7560	175	8	1400	0,80	1,63	F	55	66,5	19,5
AP4352	AFM 560/4 TF	10530	225	9	1400	0,94	2,00	F	55	70,5	21,4
AP4354	AFM 630/4 TF	13450	288	10	1400	1,34	2,70	F	55	73,5	26,7
<b>6 POLES</b>											
AP4342	AFM 400/6 TF	2800	39	11	900	0,26	0,63	F	55	54,5	11,1
AP4346	AFM 450/6 TF	4000	51	12	900	0,34	0,75	F	55	56,5	12,7
AP4350	AFM 500/6 TF	4630	69	13	900	0,34	0,75	F	55	56,5	15,6
AP4356	AFM 630/6 TF	9400	117	14	900	0,57	1,18	F	55	64,5	22,5
AP4358	AFM 710/6 TF	14700	107	15	900	0,98	2,18	F	55	68,5	35,9

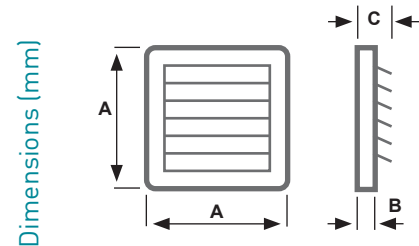
# ACCESSORIES

## MONOPHASE SPEED REGULATORS

CODE	MODEL	to control all the AFM series models
AP2568	RDV 1,5-MF	250/4 MF, 300/4 MF, 350/4 MF
AP2600	RDV 3-MF	250/2 MF, 300/2 MF, 400/4 MF, 450/4 MF
AP2642	RDV 5-MF	500/4 MF
AP2645	RDV 10D-M	560/4MF

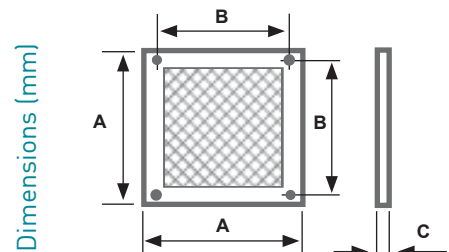


## GRAVITY SHUTTERS



CODE	MODEL	For	A	wall mounting	B	C
AP4705	CGE 250	AP4300, AP4302, AP4330, AP4332	345	230x230	45	90
AP4713	CGE 300	AP4304, AP4306, AP4334, AP4336	395	280x280	45	90
AP4721	CGE 350	AP4308, AP4338	445	330x330	45	90
AP4739	CGE 400	AP4310, AP4340, AP4342	495	380x380	45	90
AP4747	CGE 450	AP4314, AP4344, AP4346	545	430x430	45	90
AP4671	CGE 500/AFM with grid	AP4318, AP4348, AP4350	600	550x550	15	60
AP4689	CGE 600/AFM with grid	AP4320, AP4352	730	680x680	15	60

PROTECTION GRILLE (its use is mandatory if the impeller (moving mechanical part) is accessible).



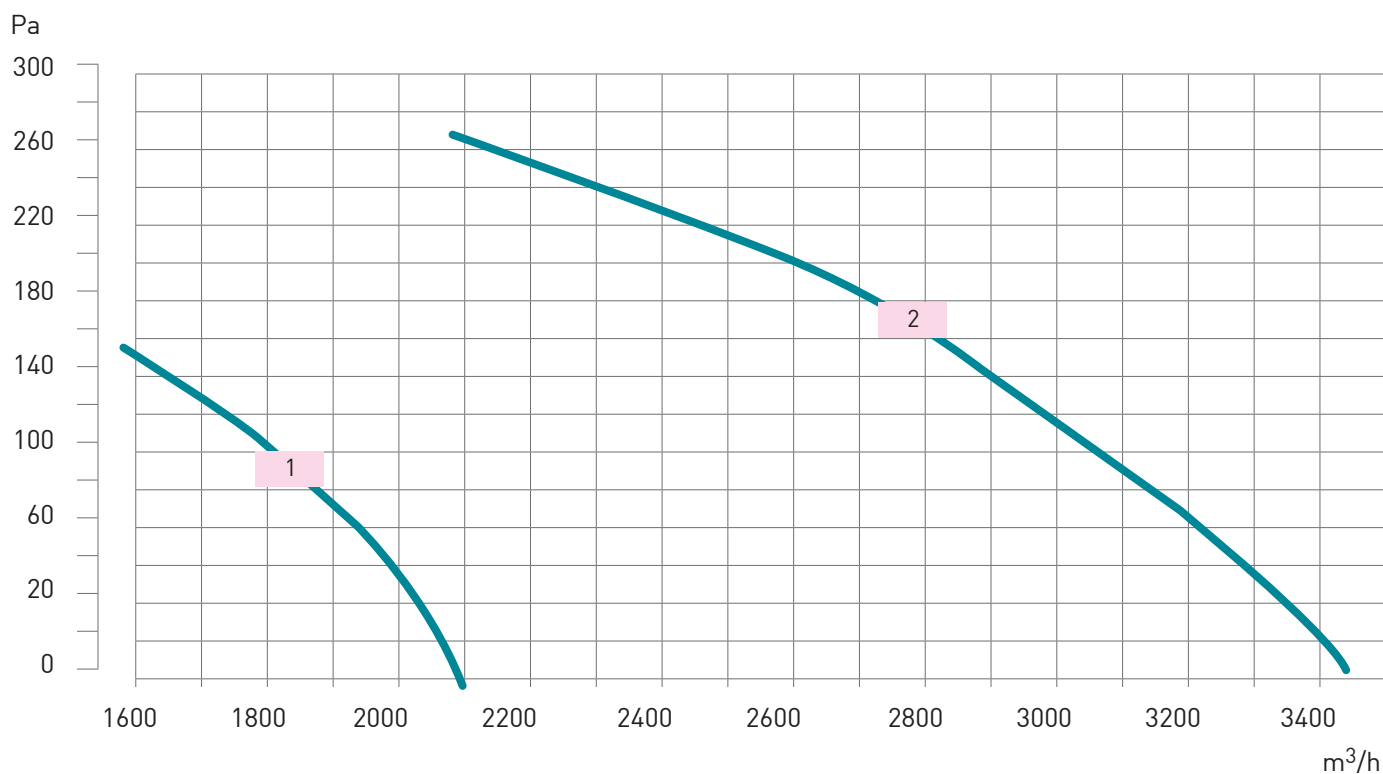
CODE	MODEL	For	A	B	C
AP4770	RPE 250	AP4300, AP4302, AP4330, AP4332	345	285	5
AP4788	RPE 300	AP4304, AP4306, AP4334, AP4336	395	335	5
AP4796	RPE 350	AP4308, AP4338	445	385	5
AP4804	RPE 400	AP4310, AP4340, AP4342	495	435	5
AP4812	RPE 450	AP4314, AP4344, AP4346	545	485	5
AP4820	RPE 500	AP4318, AP4348, AP4350	595	535	5
AP4838	RPE 600	AP4320, AP4352	695	635	5

# CHARACTERISTIC CURVES

AFM SERIES - 2 POLES - 2800 RPM

1 250/2 MF  
250/2 TF

2 300/2 MF  
300/2 TF



AFM SERIES - 4 POLES - 1400 RPM

3 250/4 MF  
250/4 TF

5 350/4 MF  
350/4 TF

7 450/4 MF  
450/4 TF

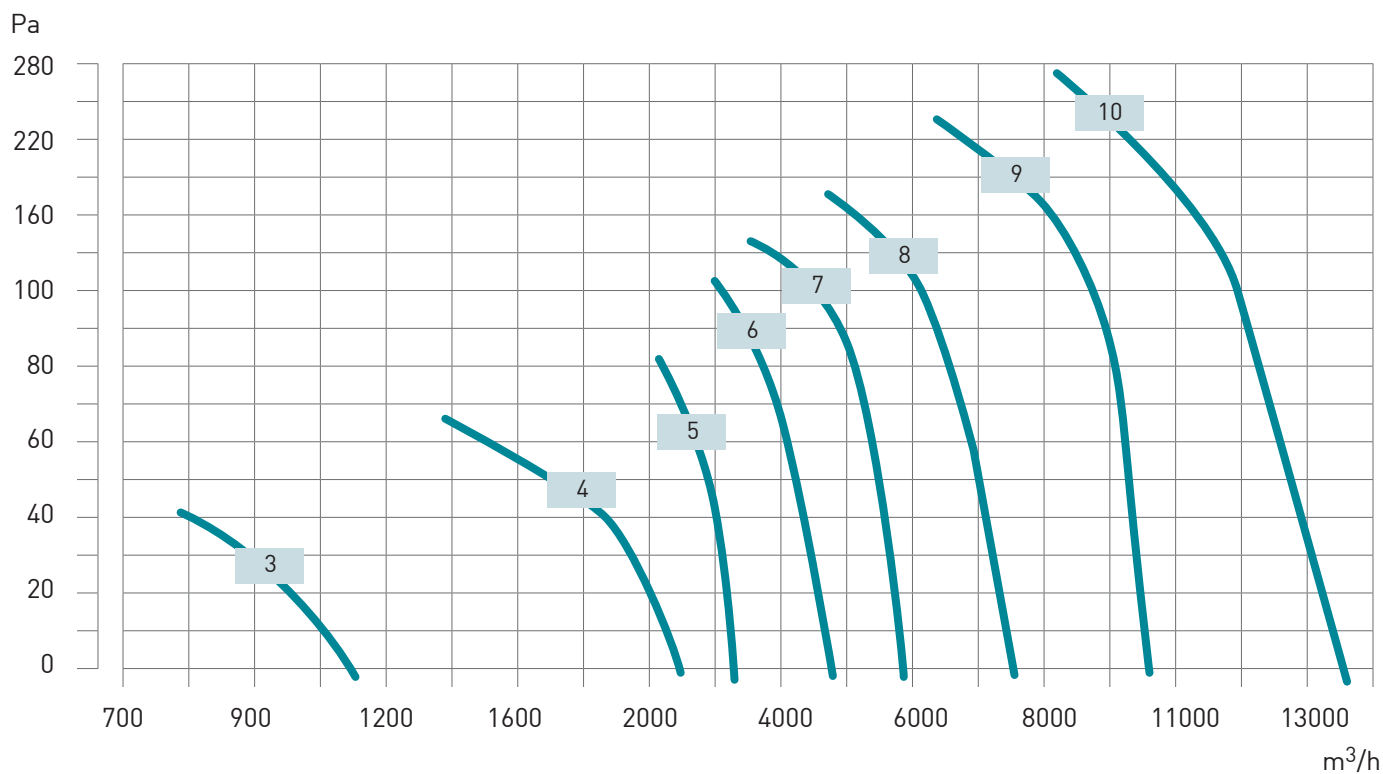
9 560/4 MF  
560/4 TF

4 300/4 MF  
300/4 TF

6 400/4 MF  
400/4 TF

8 500/4 MF  
500/4 TF

10 630/4 MF  
630/4 TF



AFM SERIES - 6 POLES - 900 RPM

11 400/6 TF    12 450/6 TF    13 500/6 TF    14 630/6 TF    15 710/6 TF

