

1590080

4-relay board

Optional board for S84-S85-S86 probes. Adding the 4-relay board (4-20mA), S84-S85-S86 probes become detectors with up to 4 relays outputs with fixed threshold and no longer need to be connected to the detection control units.



	Contacts rating	Relay N°
1590080	50mA at 24Vac/dc, 100mA at 12Vac/dc	4

ELECTRICAL CHARACTERISTICS

Relays contacts rating: 50mA at 24Vac/dc, 100mA at 12Vac/dc.

4 relays:

- relay A: previous warning - pre-alarm (10% LEL, 50 ppm);
- relay B: 1st threshold alarm (20% LEL, 100 ppm);
- relay C: 2nd threshold alarm (40% LEL, 200 ppm);
- relay D: sensor failure.

NO or NC contacts are available, selected by means of jumpers.

Relays control logic:

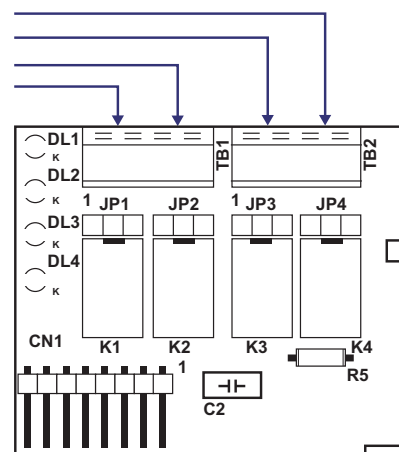
- direct: relay ON in the presence of event;
- reverse: relay ON in the absence of event.

The board has no 4 LED associated with the status of each relay and separate terminal boards for quick connection.

- NC or NO contact of pre-alarm relay
- NC or NO contact of 1st threshold relay
- NC or NO contact of 2nd threshold relay
- NC or NO contact of failure relay

- DL1 (yellow), sensor failure
- DL2 (red), 2nd threshold alarm
- DL3 (red), 1st threshold alarm
- DL4 (red), pre-alarm

Contact selection



INSTALLATION

After installing mechanically the relay board is necessary to organize its electrical configuration by selecting the relays control logic and the contact type, that has to be available on the terminal board (NC or NO).

For each relay is available a pair of removable terminals, to each of them is associated the contact type (NO or NC), selected by means of jumpers JP1...JP4.